

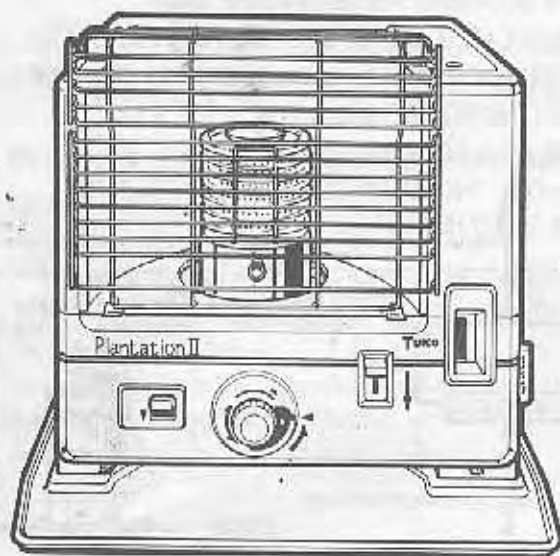
Turco

TOWN & COUNTRY
 PORTABLE KEROSENE* HEATER
 OPERATIONS & MAINTENANCE MANUAL WITH PARTS LIST

MODEL 2007

Plantation II

"A Smart Way To Heat"



Save These Instructions

IMPORTANT

READ AND UNDERSTAND INSTRUCTIONS BEFORE USING HEATER. RETAIN INSTRUCTIONS FOR FUTURE REFERENCE.

- ※ Your Turco kerosene* heater is designed and constructed for many years of safe efficient use.
- ※ Turco kerosene* heater features an automatic igniter, removable tank cartridge, safety shut-off, fuel gauge, level indicator and siphon pump.

SPECIFICATIONS

Name	Plantation II
Model No.	2007
Type of Heater	Reflection
Heating Output	10500 BTU/hr.
Fuel Tank	Cartridge
Tank Capacity	1.02 gallon
Heating Time	Up to 13 hr.
Fuel Consumption	0.08 gal/hr.
Automatic Igniter	Standard
Manual Shut-Off	Standard
Fuel Gauge	Standard
Level Indicator	Standard
Siphon Pump	Standard
Approx. Heating Area	375 sq. ft. --- (a)
Dimensions	
Height	20 $\frac{11}{16}$ inches
Width	20 $\frac{7}{8}$ inches
Depth	16 $\frac{7}{8}$ inches
Weight	22.4 lbs

(a) This is an average heating requirement, based on a rule of thumb figure of 28 B. T. U. per sq. ft. Climatic conditions and insulation, among other factors, will affect this figure.

TABLE OF CONTENTS

• Specifications	1	• Maintenance	9-12
• Important Caution	2	• How to Store Your Heater	12
• Kerosene* Heater Fuel Guide	3	• Trouble Shooting	13
• Kerosene* Heater Safety Guide	4-6	• Repair Parts	14-15
• How to Unpack and Assemble Your Heater	6-7	• Warranty	16
• How to Operate Your Heater	7-9		

IMPORTANT CAUTION

1. WARNING:

a. RISK OF EXPLOSION

1. NEVER USE ANY FUEL OTHER THAN WATER-CLEAR NO. 1-K KEROSENE* NEVER USE GASOLINE.
2. NEVER REFILL THE CARTRIDGE TANK WHEN HEATER IS OPERATING OR STILL HOT.
3. NEVER USE HEATER IN AREAS WHERE FLAMMABLE VAPORS OR GASES MAY BE PRESENT.
4. NEVER FILL THE CARTRIDGE TANK IN LIVING SPACE. FILL THE TANK OUTDOORS.
5. NEVER STORE OR TRANSPORT IN OTHER THAN A METAL OR PLASTIC CONTAINER THAT IS (1) ACCEPTABLE FOR KEROSENE; (2) NONRED IN COLOR, AND (3) CLEARLY MARKED, "KEROSENE;" NEVER STORE KEROSENE* IN THE LIVING SPACE.

b. DUE TO HIGH SURFACE TEMPERATURE, KEEP CHILDREN, CLOTHING, AND FURNITURE AWAY.

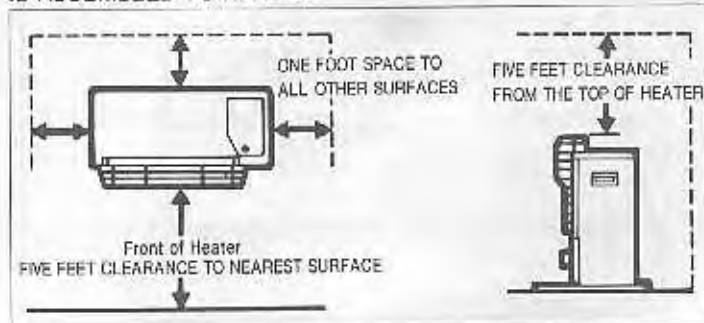
c. RISK OF INDOOR AIR POLLUTION—USE ONLY IN WELL-VENTILATED AREAS: USE OF THIS HEATER MAY POSSIBLY BE DANGEROUS TO PERSONS WITH RESPIRATORY OR CIRCULATORY DISORDERS. PEOPLE WITH BREATHING PROBLEMS SHOULD CONSULT A PHYSICIAN BEFORE USING THE HEATER.

d. DO NOT USE HEATER TO HEAT OR BOIL WATER OR USE AS A COOKING APPLIANCE.

2. CAUTION: RISK OF BURNS. DO NOT OPERATE THE HEATER WITHOUT THE GUARD COMPLETELY ATTACHED. DO NOT USE THIS HEATER UNLESS TRAY IS ASSEMBLED TO HEATER.

3. INSURE THAT MINIMUM CLEARANCES ARE AS SHOWN.

Position heater with at least the clearances at right from furniture, walls or other combustible materials such as drapes and clothing.



4. TO BE USED ONLY IN ACCORDANCE WITH STATE AND/OR LOCAL REGULATIONS, ORDINANCES, AND CODES.

5. NEVER LEAVE HEATER UNATTENDED WHILE IN USE.

6. HAVE A SMOKE DETECTOR AND FIRE EXTINGUISHER IN THE AREA OF USE.

7. In a house of typical construction, that is, one that is not of unusually tight construction due to heavy insulation and tight seals against air infiltration, an adequate supply of air for combustion and ventilation is provided through infiltration. However, if the heater is used in a small room where less than 200 cubic feet (5.7 m³) of air space is provided for each 1000 Btu per hour of heater rating (considering the maximum burner adjustment), the door(s) to adjacent room(s) should be kept open or the window to the outside should be opened at least 1 inch (25.4mm) to guard against potential buildup of indoor air pollution.

Do not use the heater in a bathroom or any other small room with the door closed.

8. Heater must not be used in confined space, mobile home, recreational vehicle, tent, bedroom or sleeping area.

9. Do not use additives with the kerosene* in this heater. These may dangerously affect the operation of the heater.

NOTE

- BUILT IN SAFETY SHUT OFF : If your heater is tilted or bumped hard while lit it will automatically shut off.
- At high altitudes, some noise may be heard from the chimney, due to the effects of less dense air. This does not affect the operation of the heater.

KEROSENE HEATER FUEL GUIDE

PURE CLEAN KEROSENE

To assure that you derive maximum performance and satisfaction from your new Portable Heater, it is **ESSENTIAL** to **USE ONLY PURE CLEAN KEROSENE**.

* **THE ONLY GRADE OF KEROSENE WHICH CAN SAFELY BE USED IN THIS HEATER IS:**

Uncontaminated, Water-Clear No. 1-K Kerosene. Free from Water or Dirt.

WARNING

BURN ONLY WATER-CLEAR NO. 1-K KEROSENE in this heater. The use of gasoline, white gas, Coleman fuel, or any other fuels can be extremely dangerous. Read all instructions and caution labels before using.

KEROSENE ONLY



IMPORTANT NOTICE

IF GASOLINE IS USED BY MISTAKE, SMOKE AND FLAMES WILL BE EXCESSIVE. **IMMEDIATELY OPERATE THE MANUAL SHUT OFF TO REDUCE THE FLAMES.**

IF HEATER DOES NOT EXTINGUISH, CALL YOUR LOCAL FIRE SERVICE FOR HELP.

CAUTIONS

- Never use any other fuel such as gasoline, Coleman fuel, thinner, naphtha or alcohol as these are highly volatile and are **DANGEROUS** because of high risk of fire and explosion.
- Do not use substitutes such as diesel fuel or fuel oil, etc. as they may lead to the mechanism becoming inoperative and failing to function in case of an emergency.
- Do not use a container if it has contained any other type of fuel as contamination will lead to the same dangers as listed above.

DETERIORATED KEROSENE AND CONTAMINATED KEROSENE

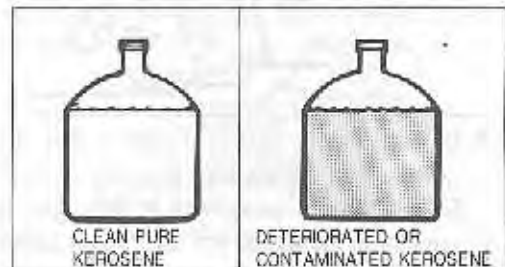
1. DETERIORATED AND CONTAMINATED KEROSENE:

Deteriorated Kerosene

- Kerosene kept through the summer season.
- Kerosene stored for a long period in direct sunlight or in hot areas.
- Kerosene stored with the cap of the container left open.

Contaminated Kerosene

- Kerosene mixed with any other type of fuel such as gasoline, paint thinner, cooking oil, or machine oil.
- Kerosene mixed with water or dust.



NOTE

Deteriorated kerosene will appear yellow in color and smell sour.

2. IF DETERIORATED OR CONTAMINATED KEROSENE IS USED:

- Tar will deposit on the wick in 1 to 30 days of use. This will cause the following troubles.
 - a. Heater is difficult to light.
 - b. Chimney glows slowly.
 - c. The wick adjuster knob is difficult to turn, or the wick is not lowered when extinguishing heater.
 - d. "Normal Flame" is not obtained even though the wick is turned up all the way.
 - e. Unpleasant odor is produced during use.
- Use of kerosene mixed with water results in low heat output and dying flame.
- Use of high volatile fuel such as gasoline or paint thinner may result in a fire.

3. CORRECTIVE ACTION IF DETERIORATED OR CONTAMINATED KEROSENE IS USED:

- Drain the deteriorated or contaminated fuel from the cartridge tank, and rinse the tank once or twice with pure kerosene.
- Clean the wick. (See page 9.)
- Replace the wick if wick cleaning does not improve wick performance. (See page 10.)

KEROSENE* HEATER SAFETY GUIDE

Improper use can result in serious bodily injury, fire hazards, carbon monoxide poisoning or burns.
Read the following carefully before using your heater.

FUEL

1. Use only Water-Clear No. 1-K kerosene* in this heater. Never use deteriorated, dirty or contaminated kerosene* or gasoline.



2. Store kerosene* away from any heat sources, rainwater, or dust. Do not store kerosene* in direct sunlight or in hot areas. Never store kerosene* with gasoline.

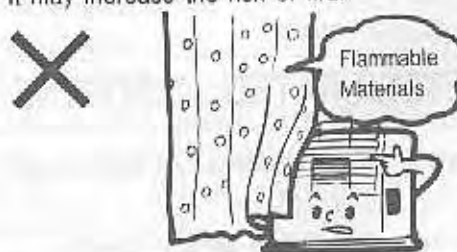


PLACE FOR USE

1. Place the heater on a level surface. Never use or transport in any vehicle, or vessel, unless all kerosene* has been removed to prevent accidental spillage of kerosene*.



2. Do not use heater adjacent to any flammable materials, such as drapes and clothing. It may increase the risk of fire.



3. Do not place heater in high traffic areas such as doorways or hallways or in windy or drafty locations. Do not use in areas with a high dust concentration present in the air. Do not turn the air outlet of a vacuum cleaner towards the heater.



4. Do not use in temperatures above 85°F (30°C) or in direct sunlight. (It may cause abnormal combustion or produce soot.)



5. Do not place heater on table, chair, etc. or other location where there is a danger of being knocked down or tipped over.

REFUELING

1. Never refill the cartridge tank when heater is operating or still hot. Never refill the cartridge tank in the living space. Fill the tank outdoors.

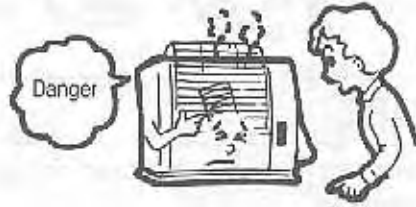


2. After filling the tank, wipe away any spilled kerosene* near the oil inlet and close the tank cap tightly. Turn the cartridge tank upside down and make certain that the cap is properly installed and does not leak.

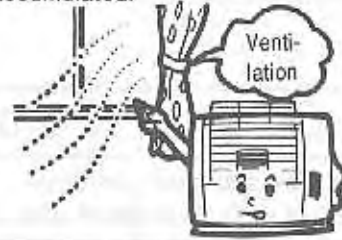


USAGE

1. Check periodically for proper burning.
If the wick is raised too high or chimney is not seated properly, abnormal combustion may occur.



2. While in use, provide adequate ventilation to supply fresh air (once or twice an hour).
Never use heater in areas where flammable gases are produced or accumulated.



3. Do not use as a clothes dryer.
It may fall onto the heater and cause a fire.



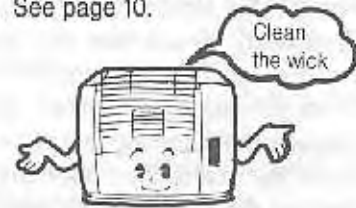
4. Do not move or handle while heater is burning or still hot.



5. Always extinguish heater before sleeping or leaving room, or it may cause a fire or produce carbon monoxide.



6. If the wick adjuster knob is difficult to turn and the wick is not lowered, due to excess tar on the wick caused by the use of deteriorated or contaminated kerosene, remove the cartridge tank and leave wick up until flame goes out naturally. See page 10.



7. Do not let children operate or refuel heater.
Do not operate without adult supervision.



8. Do not touch the heater guard.
Due to high surface temperatures, keep children and pets away from heater.



9. Never use heater in unattended areas.
(It may cause a fire or produce carbon monoxide.)



10. Do not use heater to heat or boil water or use as a cooking appliance.
Never spill or pour water on the heater.



HOW TO COPE WITH THE UNEXPECTED ACCIDENT

If abnormal combustion or an unexpected accident occurs, push down the Manual Shut Off at once.

If the heater does not extinguish or if there are flames outside of the heater, call your local fire service for help.



DAILY CHECK AND CARE

1. Always check and clean the heater.

Accumulated dirt and kerosene* spills on the cabinet or tray create a potential fire hazard, clean off before lighting heater.



2. Do not use your heater if it has been damaged or is burning irregularly.



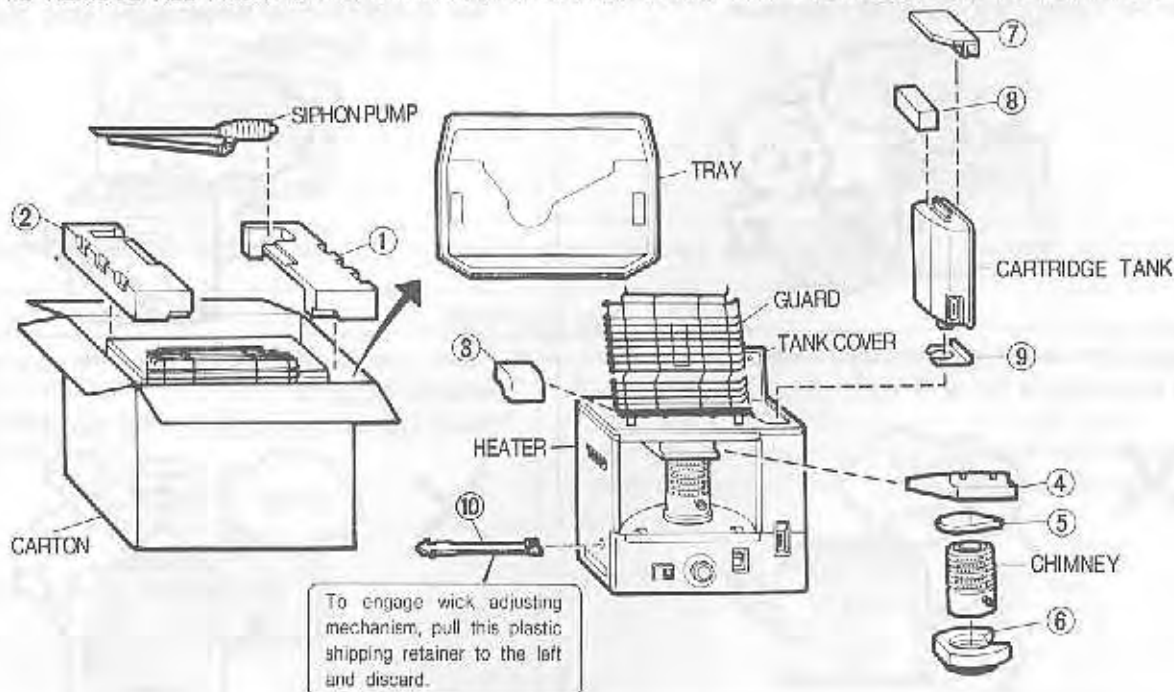
HOW TO UNPACK AND ASSEMBLE YOUR HEATER

UNPACKING

When unpacking your heater, take care not to destroy the carton or inner packing material. You will want to use this packaging to store your heater when not in use.

1. Remove the siphon pump.
2. Remove ①, ② and take out the tray.
3. Remove your heater, using the handles on each side, from the carton.
4. Open the guard and remove ③. Remove ④ toward you and remove ⑤ and ⑥ with chimney.
5. Replace the chimney, making sure it is seated properly. (See page 8, Lighting ③.)
6. Close the guard, then open the tank cover and remove ⑦ and ⑧.
7. Remove the cartridge tank and remove ⑨.
8. Replace the cartridge tank. Pull left ⑩.

BE SURE TO REMOVE ALL PACKING MATERIALS (CARD BOARD, STYROFOAM PACKINGS) FROM YOUR HEATER AS SHOWN.

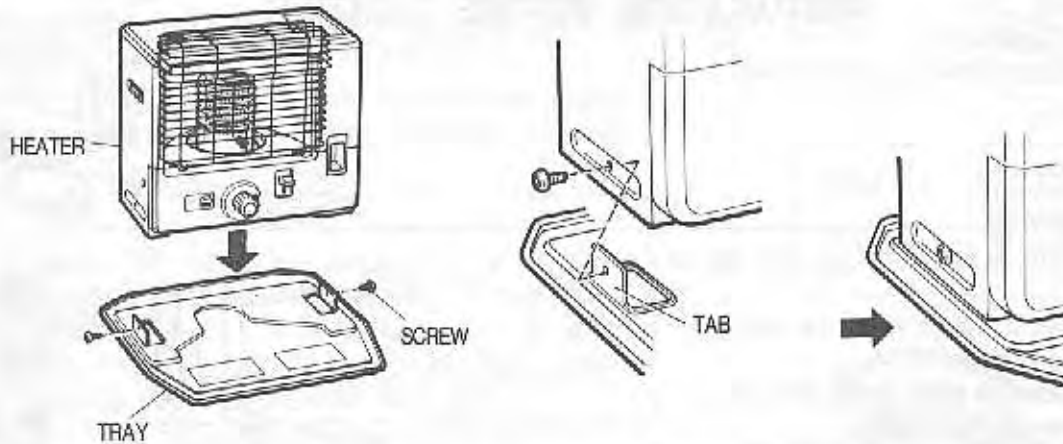


ASSEMBLING

1. Remove the two screws from the sides of the tray.
2. Place the tray on the floor.
3. Place the heater on the tray by inserting two tabs of the tray to the inside of the heater.
4. Secure the heater to tray with two screws.

CAUTION

Do not use this heater unless tray is assembled to heater. It may cause abnormal combustion.



HOW TO OPERATE YOUR HEATER

REFUELING

Always extinguish heater before refueling.

Use only kerosene* (Water-Clear No. 1-K Kerosene). Do not use gasoline or any other fuel.

HOW TO DISTINGUISH KEROSENE* FROM GASOLINE.

- Put some fuel on your fingertip, and blow on it.

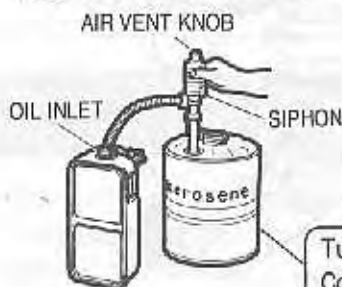


NOTE

- Tank must be set on solid level surface outdoors during filling.
- Turn the cartridge tank upside down and make certain that the cap does not leak.
- Wipe up any spilled kerosene*.

1. Remove the cartridge tank from the heater and unfasten the tank cap.

Refill the tank with a siphon pump.



- Hand operated siphon (Model 2530) is standard equipment with your heater.
- Battery operated siphon (Model 2540) is available as an optional extra.

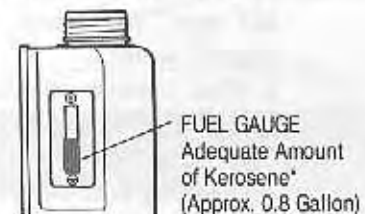
Turco Kerosene* Storage Container Model 2560

NOTE

The knob at the top of the siphon pump controls an air vent. Before siphoning, close the vent by turning the knob clockwise.

To avoid over filling the tank, watch the fuel gauge carefully. Stop the flow of kerosene* by turning the air vent knob counter-clockwise.

2. When the fuel level rises up to the center of the fuel gauge, stop refilling.

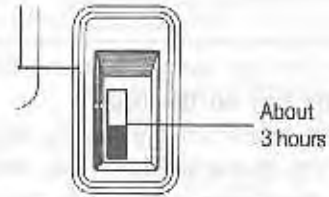


3. Close the tank cap tightly and replace the tank into the heater properly.



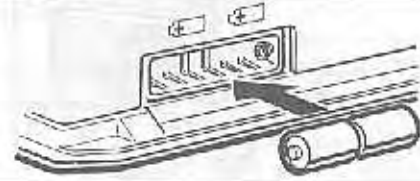
NOTE

- When the indicator moves to center of the fuel gauge on the front plate, the flame goes out in about 3 hours.
- Refill the tank as described on page 7.

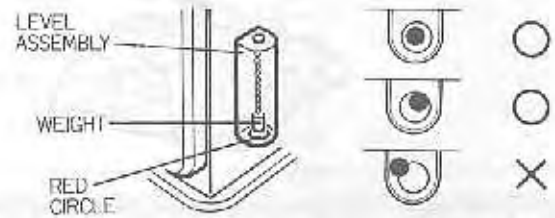


PREPARATION BEFORE LIGHTING

1. Install 2 "D" size batteries (not provided).



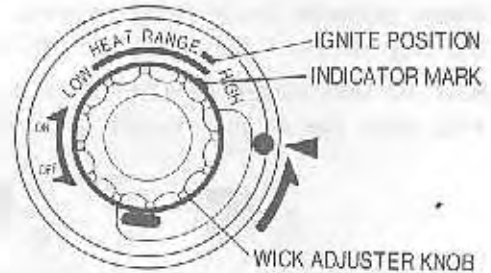
2. Check the level assembly on the right side of heater as shown.
Use the heater in a place where the weight can be seen within the red circle.
(If the heater is tilted, Safety Shut Off does not function properly.)



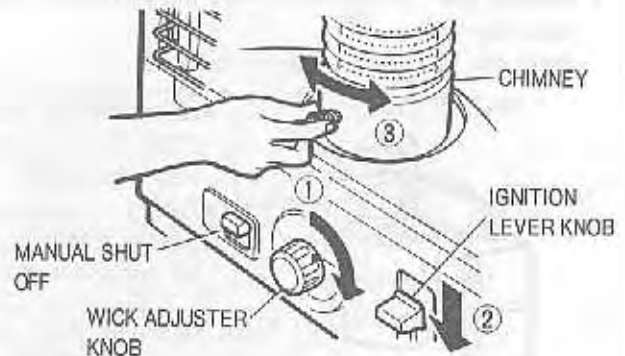
LIGHTING

NOTE: After initial fueling, allow 20 minutes for wick to absorb kerosene* before lighting.

- ① Turn the wick adjuster knob clockwise until it stops. The indicator mark on the wick adjuster knob will come to the "IGNITE POSITION" as illustrated.
- ② Push down the ignition lever knob slowly until it stops, the chimney will tilt for lighting. When wick is lit, return the ignition lever knob immediately.
- ③ Turn the chimney by the wire handle from side to side a few times to make certain it is seated properly.



CAUTION: Be sure the wire handle moves easily left and right. This means the chimney is properly seated. A tilted chimney can cause smoke and damage to the heater. Never tilt the chimney to check the flame after lighting since this releases excessive kerosene* contaminated air.



NOTE: If the ignition lever knob is pushed down too hard, the ignition plug will strike the wick and the wick will not ignite. Return the ignition lever knob slightly while looking at the ignition plug, and wick will light easier.

In the initial use, a slight odor may be noticed from the new chimney due to evaporation of machine oil. This odor will disappear after 3 or 4 hours of use.

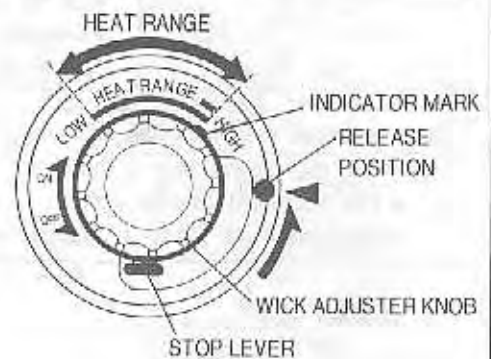
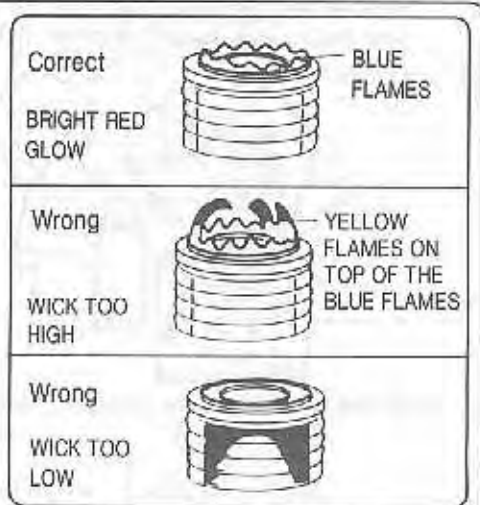
FLAME ADJUSTMENT

- ① Within 3 minutes the flame will rise, in another minute the chimney will glow. The chimney should be a clear bright red with blue flame seen above the chimney top.
- ② If yellow flames appear on top of the blue flames, turn the chimney by the wire handle from side to side 2 or 3 times without touching the hot guard, to ensure that the chimney is seated properly. If the yellow flame still extends, lower wick (counter-clockwise in the HEAT RANGE) until the blue flames only remain above the chimney top.
- ③ If the chimney has a blackish cast and no blue flame appears above the chimney top, raise the wick by turning adjustment clockwise in the HEAT RANGE.

WARNING

ALWAYS KEEP THE INDICATOR MARK ON THE WICK ADJUSTER KNOB WITHIN THE HEAT RANGE DURING USE. DO NOT OPERATE HEATER WITH WICK BELOW THE WICK STOP. SUCH OPERATION DECREASES COMBUSTION EFFICIENCY, CREATES ODOR, DECREASES WICK LIFE.

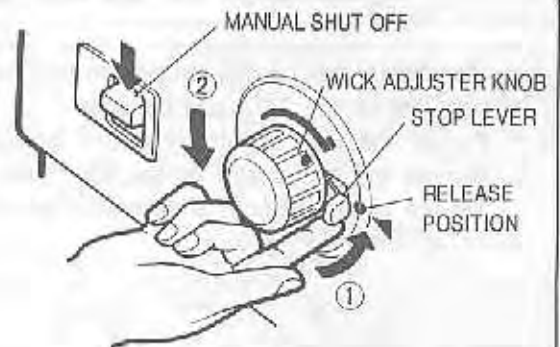
- The wick adjuster knob is designed not to be turned below the low wick stop of the "HEAT RANGE" unless the stop lever is set to "Release Position" as shown at right. Do not turn the knob forcibly counter-clockwise below the wick stop or damage to the heater may result.
- If room temperature becomes too hot, either turn off the heater for a while or increase air ventilation.



EXTINGUISHING

- ① Turn the stop lever to "Release Position."
 - ② Turn the wick adjuster knob counter-clockwise to a firm stop.
The flame will go out in a short time.
Always check that the flame is completely out.
- For instant extinguishing of the flame, push down the Manual Shut Off.

NOTE: Wait 15 minutes after extinguishing before relighting. USE OF MANUAL SHUT OFF MAY CAUSE MOMENTARY FLAME AND KEROSENE* ODOR.



MAINTENANCE

- You may clean the cabinet exterior and reflector with a soft damp cloth, use a mild detergent solution or mild abrasive household cleaner if necessary, and wipe dry with soft dry cloth.
- Replace the batteries if the filament of ignition plug does not glow sufficiently.

CLEANING THE WICK (BURNING DRY)

Clean the wick to remove tar or carbon deposits around the top of the wick, if any of the following conditions exist:

- a. Heater is difficult to light.
- b. Chimney glows slowly.
- c. The wick adjuster knob is difficult to turn, or the wick is not lowered when extinguishing heater.
- d. "Normal Flame" is not obtained even though the wick is turned up all the way.
- e. Unpleasant odor is produced during use.

HOW TO CLEAN THE WICK

1. Remove the cartridge tank from the heater and light the heater. See "CAUTION" below.



2. Leave wick up until flame goes out naturally. (About 1 hour)



3. Fill the tank with pure kerosene.* Allow 20 minutes for wick to absorb kerosene* before lighting.

CAUTION

- Turn the wick adjuster knob to "HIGH" position.
- Do not lift up the chimney while cleaning the wick.
- Cleaning wick by burning all fuel should be done outdoors since some smoke or odor may occur in the final stage.

After repeated cleanings, the wick of your heater needs replacing if any of the following exist:

- The top of the wick is hard.
- The wick is unevenly worn.
- Wick cleaning does not improve wick performance.

See the instructions below.

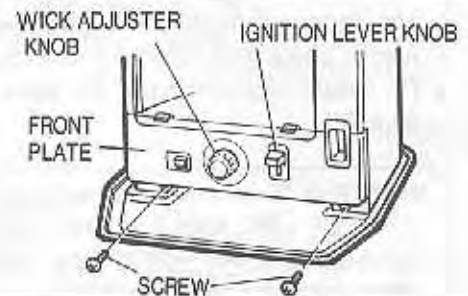
CHANGING THE WICK

USE ONLY "TURCO" REPLACEMENT WICK.....PART NO. 2710600 OR STOCK NO. 2502

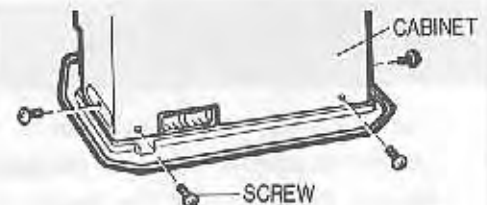
CAUTION: Do not attempt to substitute any other wick.

Do not trim the wick and make sure when fitting a new wick that it is properly located.

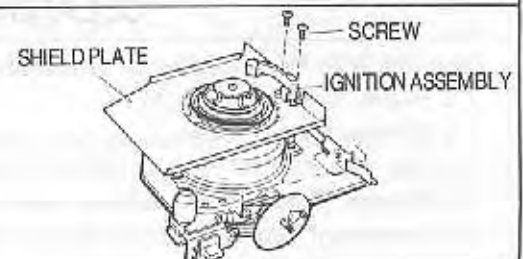
1. After heater has cooled, remove the tank and the chimney assembly, also remove the 2 "D" size batteries. Pull off the wick adjuster knob and ignition lever knob. Remove the two screws on the front plate. Tilt the bottom of front plate toward you and remove it.



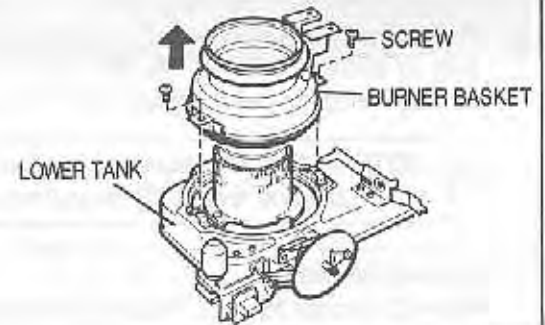
2. Remove the four screws on the rear and side of the cabinet and lift it off.



3. Remove the two screws which fasten the automatic ignition assembly and shield plate. Lift off the ignition assembly and shield plate.



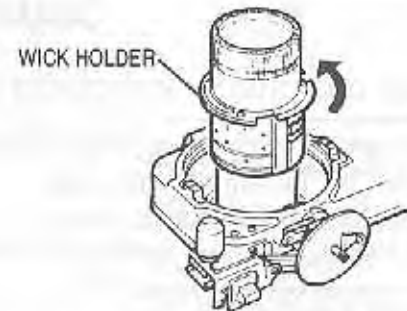
4. Remove the two screws which fasten the burner basket and pull straight out. Do not wipe away the sealer paint on the lower tank.



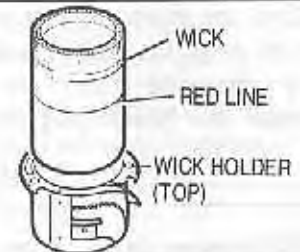
5. Replace the wick adjuster knob and turn counter-clockwise till it stops. Turn the wick holder counter-clockwise and pull it straight out with the wick.

NOTE

Forced turning of the wick adjuster knob even if the wick will not rotate may damage the ratchet spring, making the heater useless. When the wick is removed, never turn the wick adjuster knob. Otherwise the ratchet spring may be damaged, making the heater useless.

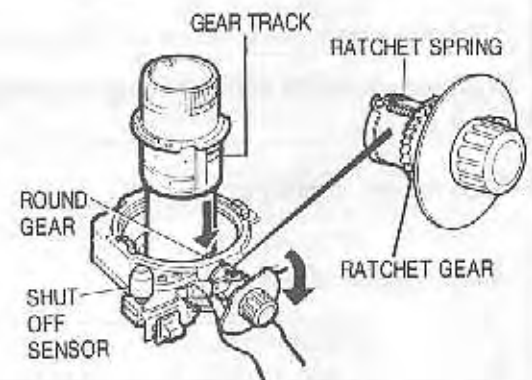


6. Peel the old wick out and insert new wick. Make certain that the red line around the wick lines up with the top of the wick holder. Reach inside and press the wick into the teeth inside the wick holder. SMOOTH OUT ANY WRINKLES OR BULGES.



7. Lean the weight to the shut off sensor to one side. Hold the plastic ratchet gear still and turn the wick adjuster knob clockwise until it stops. Without holding the gear, continue turning the wick adjuster knob until the ratchet spring appears on the top of the assembly. Install the wick holder so that the edge of gear track lines up with the round gear on the wick adjuster shaft.

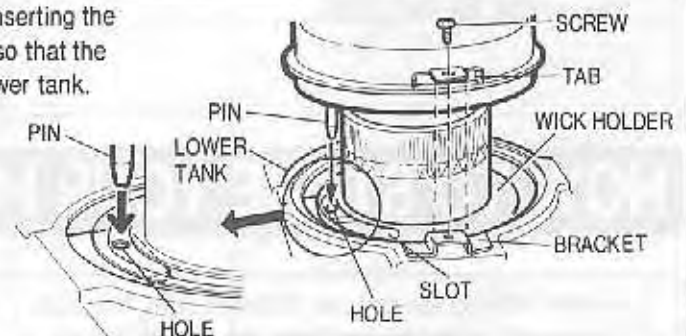
Turn the wick holder clockwise until the round gear makes contact with the gear track on the side of the wick holder. Turn the wick adjuster knob about 1 turn clockwise to engage gears, and the hole inside the lower tank appears in the slot of the wick holder. (See illustration on step 8.)



8. Replace the burner basket by pushing it straight down and inserting the pin of the burner basket into the hole inside the lower tank, so that the tabs of the burner basket line up with the brackets of the lower tank. Fasten down burner basket with the two screws.

CAUTION

If the pin of the burner basket is not inserted into the hole, the pin can be broken and damage to the heater may result. Always insert the pin straight down into the hole.



9. Check to see if wick height is correct by turning the wick adjuster knob clockwise until it stops.

The maximum wick height should be $\frac{7}{16}$ in. (11mm) from the top of the wick to the top of burner basket assembly, as illustrated.

If it is not, repeat installation step 6.



- Check to see if wick moves smoothly by turning the wick adjuster knob in both directions and if wick goes down completely to a firm stop by pushing down the Manual Shut Off, then remove the wick adjuster knob by pulling straight off.

NOTE: To turn wick adjuster knob counter-clockwise, set the stop lever to "Release Position."

- Reassemble heater.
Allow 20 minutes for wick to absorb kerosene before lighting.

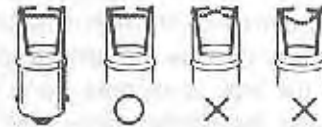
NOTE

When replacing the wick adjuster knob, ensure that the indicator mark on the wick adjuster knob is correctly positioned. With the wick adjuster knob turned fully clockwise, the indicator mark should be at the high position as shown on page 8. If it is not, remove the wick adjuster knob and replace it correctly.

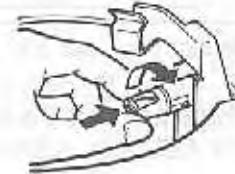
CHANGING THE IGNITION PLUG

USE ONLY "TURCO" REPLACEMENT IGNITION PLUG.....PART NO. 2710260 OR STOCK NO. 2510

If your batteries are good and there is only a slight glow or none at all, check the filament of ignition plug.
If the filament is slightly bent, repair it.
If it is broken, you should replace the ignition plug as follows.



- Remove batteries from case.
- Open the guard and remove the chimney.
- Push down the ignition lever knob.
To remove the ignition plug push in and turn counter-clockwise.
Install new ignition plug and replace the chimney and guard.



CAUTION: Never do any of the following.

- Do not operate heater unless all parts are completely assembled.
- Do not attempt to modify or repair the Safety Shut Off System.
- Do not trim or pull the wick.
- Do not unfasten the screw of the fuel gauge on the cartridge tank or disassemble the fuel gauge.



HOW TO STORE YOUR HEATER FOR THE SEASON

- Always remove the dry cell batteries from the battery case.
- Completely drain the fuel from the cartridge tank.
Burn the heater and leave the wick up until the flame goes out naturally.
(See page 10 for details on how to clean the wick.)
- Pack your heater in reverse order to the unpacking.
- Store your heater in a dry place.

TROUBLE SHOOTING

Here are common symptoms which may appear during operation of your heater.
Most are easily corrected, as shown below.

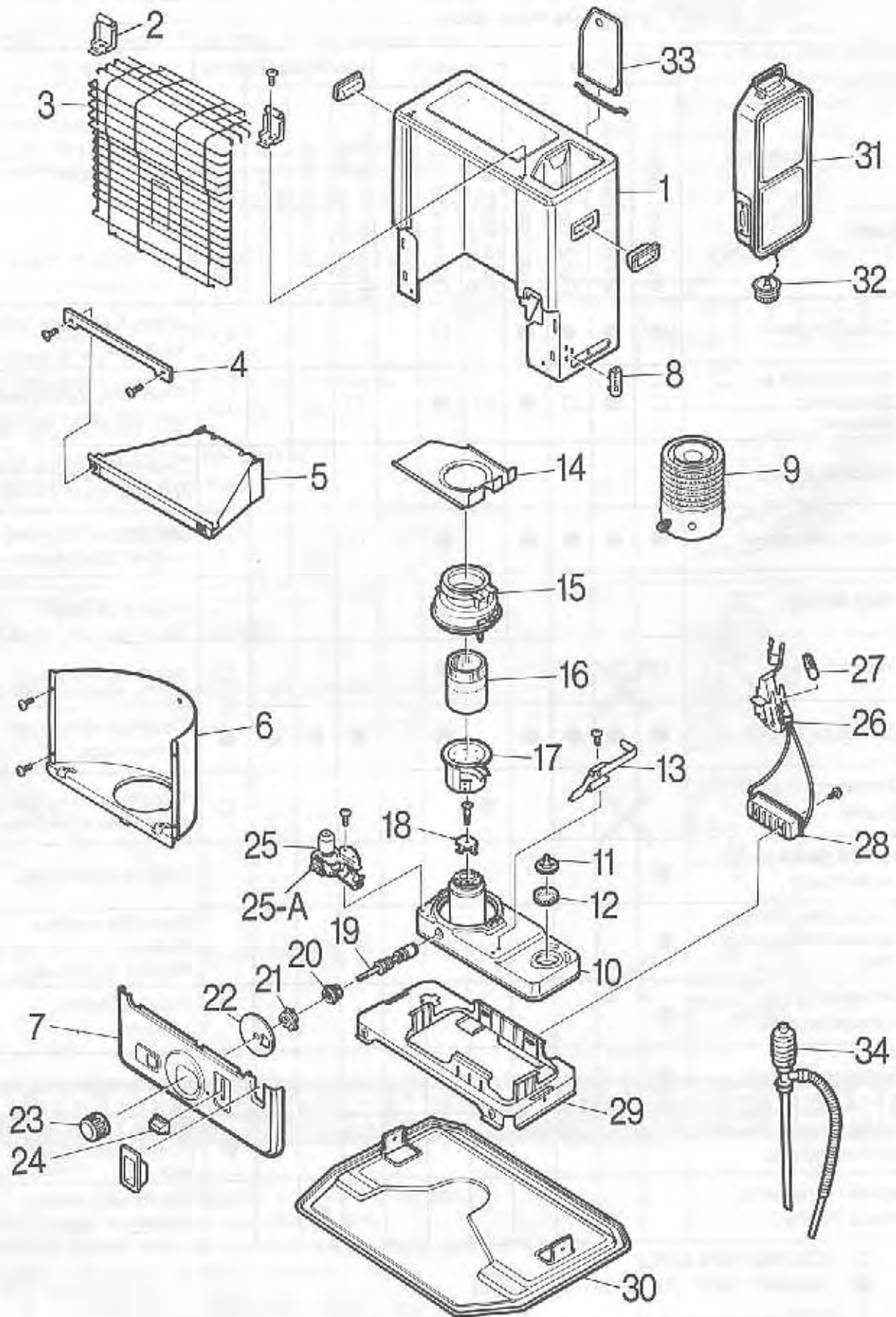
Possible Causes		Symptoms			At lighting			In operating			At extinguishing			Cure	Page
		Wick won't ignite.	Chimney glows slowly.	Flame remains small.	Dying flame.	Yellow flame, soot or smoke.	Chimney does not glow.	Flame is unadjustable.	Heavy movement of wick adjuster knob.	Wick is not lowered.	Flame does not go out.	Odor.			
Fuel	Out of kerosene.*	●	●	●	●	○					○	Check fuel gauge, add kerosene.*	7		
	Contaminated or deteriorated kerosene.*	○	●	○	●	○	●		○	○	○	Drain tank, replace wick, refill with clean kerosene.*	3,10		
	Gasoline is used.					○		○			○	Drain tank, replace wick, refill with clean kerosene.*	3,10		
	Water in kerosene.*	●	●	●	●		●	○	○	○	○	Drain tank, replace wick, refill with clean kerosene.*	3,10		
Wick	Wick too high.					○						Adjust wick height.	9		
	Wick too low.	○	○	●			●				○	Adjust wick height.	9		
	Excess tar on wick.	●	●	●	●		●		●	●	●	Clean the wick. Replace wick.	9,10		
	Chimney not seated properly.					●		○			○	Turn the chimney from side to side a few times.	8		
Ignition plug	Ignition plug is broken or damaged.	●										Replace ignition plug.	12		
	Inadequate clearance between the wick and plug.	●										Repair the modified filament. Replace ignition plug.	12		
Batteries	Batteries are not installed properly.	●										Install batteries properly.	8		
	Batteries are dead.	●										Replace batteries.	8		
	Chimney is raised too long during lighting.										●	Release ignition lever knob immediately after wick is lit.	8		
	Stop lever is not set to "Release Position."								●			Set the stop lever to "Release Position."	9		

○ : COLUMNS APPLICABLE

● : COLUMNS HAVE AN IMPORTANT EFFECT

NOTE: While using your heater or after extinguishing it, there is some noise which is made by kerosene* flowing from cartridge tank to the lower tank. This sound is normal.

REPAIR PARTS



LIST OF MATERIAL

REPLACEMENT PARTS

KEY NO.	NAME	QTY.	PART NO.
1	Cabinet Assembly	1	2721530
	Handle	2	
	4mm X 5/16" Ph. Pan. Hd. T. C. S.	4	
2	Guard Fixing Metal	2	2721540
	3mm X 1/4" Ph. Pan. Hd. T. C. S.	2	
3	Guard	1	2721550
4	Frame Trim	1	2721130
	3mm X 1/4" Ph. Pan. Hd. T.C.S.	2	
5	Top Shield Assembly	1	2721560
	4mm X 5/16" Ph. Pan. Hd. T. C. S.	1	
6	Reflector Assembly	1	2721570
	3mm X 1/4" T. Ph. Rd. Hd. S. M. S.	5	
	A Vertical Reflector	1	
	B Lower Reflector	1	
	C 3mm X 1/4" T. Ph. Rd. Hd. S. M. S.	8	
7	Front Plate	1	2721580
	Indicator Trim	1	
	4mm X 5/16" Ph. Pan. Hd. T. C. S.	2	
8	Level Assembly	1	2710140
9	Chimney Assembly	1	2721170
	A Outer Cylinder	1	—
	B Inner Cylinder	1	—
	C Glass Cylinder	1	2721180
		Speed Nut	
	D Chimney Housing	1	—
		Wire Handle	
	E Round Head Pin	2	—
	10	Lower Tank	1
Wick Guide Cap		1	
4mm X 5/16" Ph. Pan. Hd. T. C. S.		2	
11	Oil Feeder	1	2710330
12	Oil Filter	1	2710340
13	Ignition Lever Assembly	1	2721200
	4mm X 5/16" Sealer Painted T. C. S.	2	
14	Shield Plate	1	2721210
15	Burner Basket	1	2721220
	4mm X 5/16" Ph. Pan. Hd. T. C. S.	2	
16	Wick	1	2710600

REPLACEMENT PARTS

KEY NO.	NAME	QTY.	PART NO.
17	Wick Holder	1	2721240
18	Cap Cover	1	2721250
	Cap Cover Scr.	1	
19	Wick Adjuster Shaft Assembly	1	2721260
20	Spring Case Assembly	1	2721270
	A Holder Cover	1	
	B Return Pin	1	
	C Holder Spring	1	
	D Ratchet Gear Assembly	1	
	E Ratchet Spring Stopper	1	
21	Wick Stop Cam Assembly	1	2728730
	A Wick Stop Cam	1	
	B Cam Pin	1	
	C Release Lever Assembly	1	
	D Lever Spring	1	
	E Spring Cover	1	
22	Shaft Cover	1	2726100
23	Wick Adjuster Knob	1	2721590
24	Ignition Lever Knob	1	2721280
25	Safety Shut-Off	1	2721290
	4mm X 5/16" Sealer Painted T. C. S.	2	
	A Manual Shut Off Button	1	2721600
26	Ignition Assembly	1	2721300
	4mm X 5/16" Ph. Pan. Hd. T. C. S.	2	
27	Ignition Plug	1	2710260
28	Battery Case	1	—
	3mm X 1/4" T. Ph. Rd. Hd. S. M. S.	1	
29	Cabinet Base	1	2721310
30	Tray	1	2721320
	4mm X 5/16" Ph. Pan. Hd. T. C. S.	2	
31	Cartridge Tank Assembly	1	2721330
32	Tank Cap Assembly	1	2710040
33	Tank Cover	1	2721340
	Tank Cover Shaft	1	
34	Siphon Pump	1	2711060

FACTORY ASSISTANCE

Extreme care has been taken at the factory to assure that this heater is of the Highest Quality. If, however, you find a shortage or encounter other problems at the time of assembly, do not return the item to the store where you purchased it, call Turco Customer Service for any assistance you require.

TOLL FREE CONTINENTAL U.S. (800) 851-8481
ILLINOIS RESIDENCE (618) 542-4781

REPLACEMENT PARTS:

If replacement parts are required in the future due to normal wear or undue abuse, contact: Customer Service Dept. — Turco Mfg. Co. — 501 S. Line St., Du Quoin, Illinois 62832
Always specify Model No. — Name of Part — Part No. and Description.

LIMITED WARRANTY

Turco Manufacturing Company hereby warrants to the original retail purchaser of this Turco Kerosene Heater, subject to the conditions listed below:

- (1) for a period of one (1) year from date of purchase, the unit shall be free from defects in material and workmanship;
- (2) except such normal wear and tear items, such as, but not limited to, wicks, batteries, ignition plug and siphons.

TURCO may require reasonable proof of date of purchase. THEREFORE YOU SHOULD RETAIN YOUR SALES SLIP OR INVOICE.

This limited warranty shall be limited to the repair or replacement of parts which prove defective under normal use and service and which our examination shall disclose, to our satisfaction, to be defective. If our inspection confirms the defect and the claim, Turco will repair or replace such part without charge and ship it to you freight or postage prepaid.

If you wish to obtain performance of any obligation under this limited warranty, you should write to

Customer Service Department
Turco Manufacturing Company
Du Quoin, Illinois 62832

TURCO may require you to return the part(s) claimed to be defective, for its inspection, freight or postage prepaid, to TURCO at the address listed.

TURCO does not authorize any person or representative to assume for it any other obligation or liability in connection with the sale or use of this product. This limited warranty is in lieu of all other express warranties.

IN THE EVENT OF A BREACH OR REPUDIATION OF ANY EXPRESS OR IMPLIED WARRANTY, YOU, THE PURCHASER, SHALL NOT BE ENTITLED TO ANY INCIDENTAL OR CONSEQUENTIAL DAMAGES, EXCEPT THAT DAMAGES FOR PERSONAL INJURIES SHALL NOT BE PRECLUDED.

Some states do not allow limitations on how long an implied warranty lasts, or the exclusion or limitation of consequential or incidental damages, so the above limitations or exclusions may not apply to you.

This warranty gives you special legal rights, and you may have other rights which vary from state to state.

TURCO MANUFACTURING COMPANY

DU QUOIN, ILLINOIS 62832

Miles Stair's
Wick Shop
www.MilesStair.com
Quality Kerosene Items since 1999

Turco

501 SOUTH LINE STREET, DU QUOIN, ILLINOIS 62832