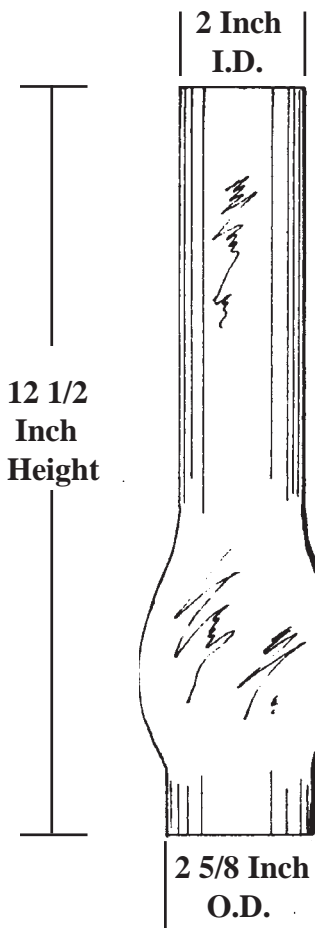


# ALADDIN®

## MODEL NO. 2 EXPLODED VIEW PARTS LIST

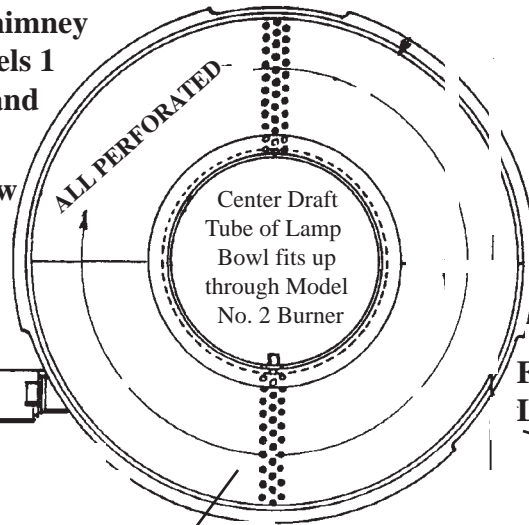
Sold from May 1909 to August 1910

Model No 2  
Thimble Type  
Flame Spreader  
(Not Avail.)



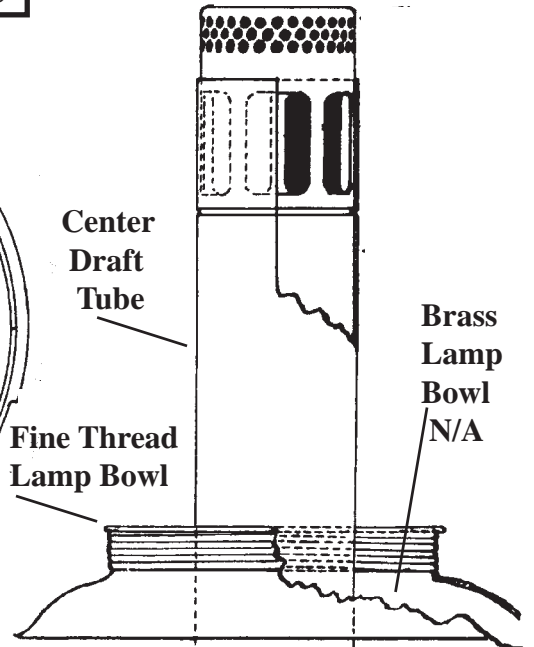
R910 Heel-less  
Glass Chimney  
fits Models 1  
thru 11 and  
23A

Top View  
Burner  
Base



Center  
Draft  
Tube

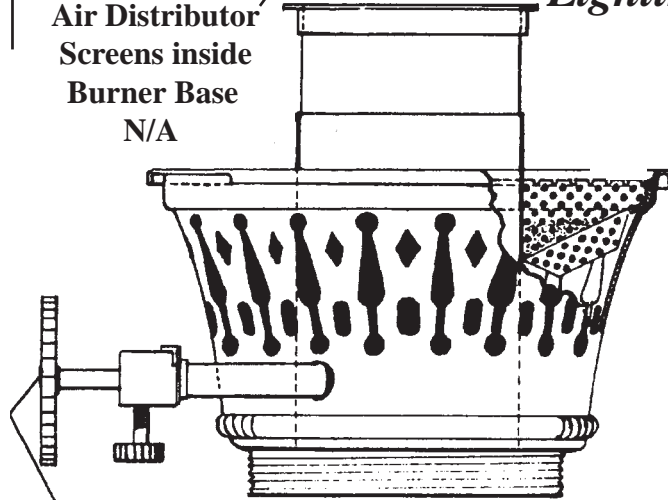
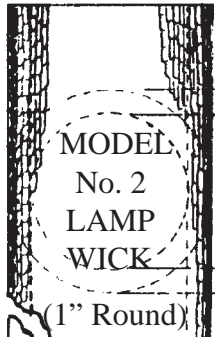
Fine Thread  
Lamp Bowl



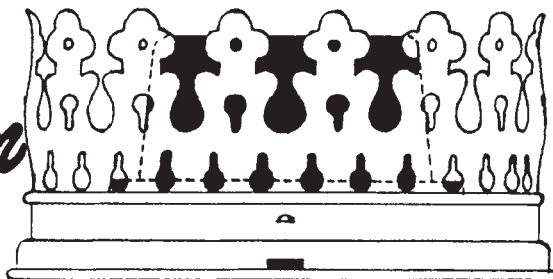
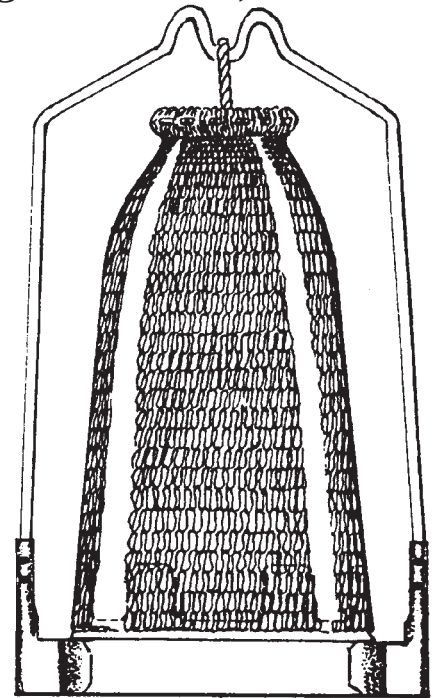
2 5/8 Inch  
O.D.

Model No. 2  
Air Distributor  
Screens inside  
Burner Base  
N/A

*Lighting The World, Since 1908*



Face  
Model  
No. 2  
Burner  
Knob



Aladdin Mantle Lamp Company  
681 International Blvd.  
Clarksville, TN 37040, USA  
Tel: 800-457-5267 FAX: 931-647-4517  
www.aladdinlamps.com  
e-mail: sales@aladdinlamps.com