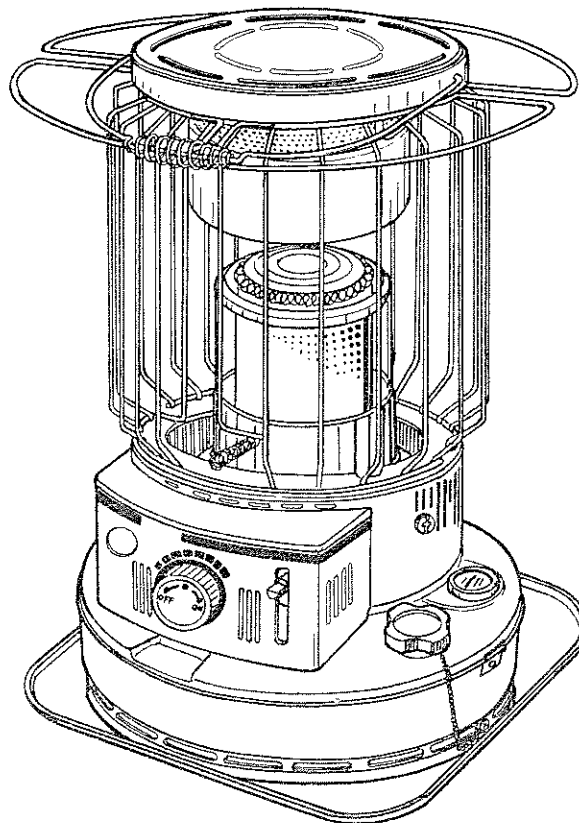


# KEROSENE HEATER

## Operation & Maintenance Handbook

For Models 3800 & 4800



IMPORTANT: The Limited Warranty and claim instructions are printed on the back cover of this Owner's Manual.

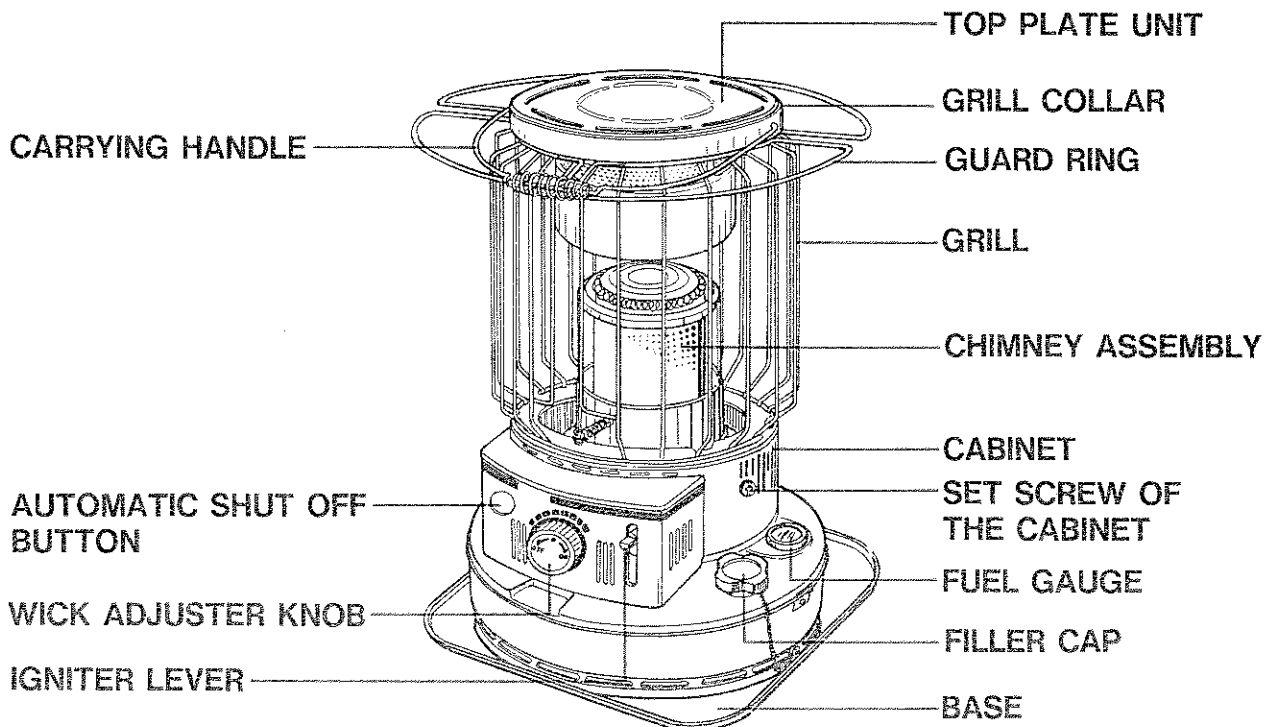
## CONTENTS

INSPECTION AND ASSEMBLY _____	2
FUELING _____	3
SAFETY PRECAUTIONS _____	3
PREPARATION BEFORE LIGHTING _____	4
LEVELING _____	4
VENTILATION _____	4
SETTING THE AUTOMATIC SHUT OFF DEVICE _____	4
LIGHTING _____	5
FLAME ADJUSTMENT _____	5
EXTINGUISHING _____	6
MAINTENANCE _____	6
PARTS REPLACEMENT PROCEDURES _____	8
STORAGE _____	12
TROUBLESHOOTING _____	13
REPLACEMENT PARTS _____	14

Your kerosene heater has been designed and engineered to provide you with many years of safe, clean and economical service. This manual has been prepared to instruct and help you give it the care and treatment necessary to insure that your heater performs as it was intended. **PLEASE READ THIS MANUAL CAREFULLY AND THOROUGHLY BEFORE USING YOUR HEATER.** It will show how easy it is to care for and enjoy your new heater.

You will notice how often we stress the importance of using only a good grade of clean, pure kerosene, this is extremely important.

Should you encounter any problem which you cannot solve by using this manual. Do not return the heater to the store. Call our Customer Service Department at this toll free number for assistance. 800 — 526-3986 In New Jersey, Call 800 — 942-7779



# IMPORTANT READ ALL CAUTION WARNINGS AND INSTRUCTIONS BEFORE OPERATING THIS UNIT

Your Kerosene Heater is equipped with push-button igniting and automatic extinguishing features. Provided are two 1.5 volt D-size batteries which supply power for the push-button igniter. The automatic extinguishing device lowers the wick instantly in the event that the heater is accidentally jarred or tipped over and may also be activated by pushing the button in the front of the cabinet.

## INSPECTION AND ASSEMBLY

We suggest that you save all packaging and carton material. This may be used to repack and store your heater when not in use.

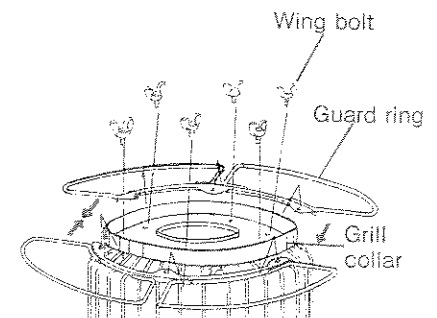
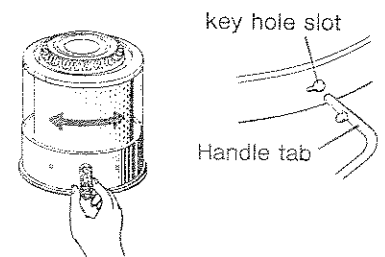
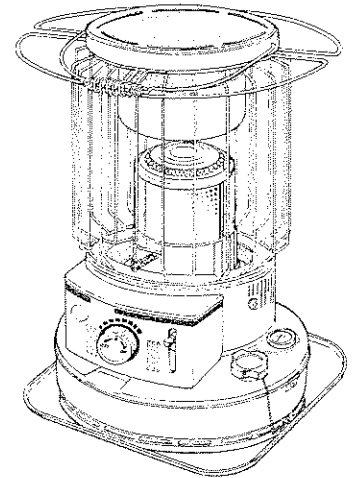
1. Remove and put aside the two (2) 1.5 volt D-size batteries. Remove and put aside the two halves of the guard ring.
2. Remove the top protective packing.
3. Carefully lift out the heater from the carton. Be sure to remove any additional packing.
4. To remove the protective packaging from the chimney assembly, first remove the carrying handle, and the top plate by lining up the tabs on the ends of the handle with the key hole slots located on each side of the grill collar. Pull gently out and remove. Then lift out the top plate unit from inside the grill. Carefully remove the chimney assembly and all its protective packing, including the corrugated ring underneath. Reposition the chimney assembly on the wick. After the chimney assembly is in place, make sure it rotates easily left and right. This assures that the assembly will lie securely over the wick.

Caution: Misaligning the chimney assembly could cause smoke or possible damage to the heater.

5. Position each half of the guard ring under the top collar of the circular grill as shown. Attach securely with the six wing bolts.

Safety Feature: The guard ring must be installed prior to operating the heater.

6. Insert the top plate unit into the grill making sure to line up the holes at each side with the key holes of the grill collar.
7. Insert the two ends of the carrying handle making sure to line up the tabs at each end with the slots of the key holes located on each side of the grill collar and top plate.
8. Install the two batteries in the position shown on the battery case in the rear of the cabinet.
9. Return all protective packaging to the carton and store for future use.

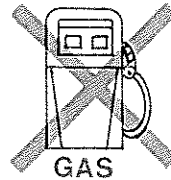


## FUELING

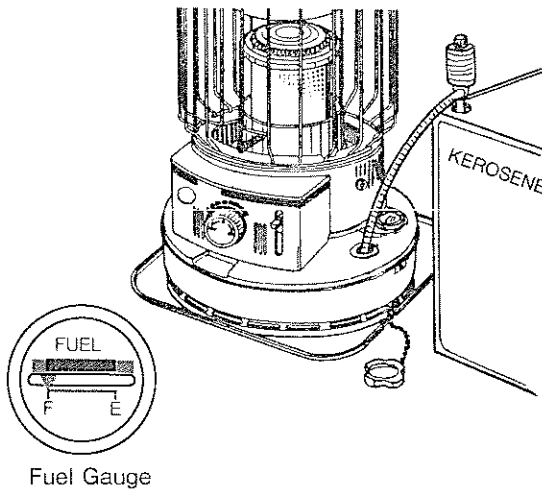
### WARNING

Use only pure kerosene. Never use gasoline or other flammable distillates. Use of such fuels can result in an explosive fire and cause severe injury. Read all instructions and caution labels before using.

### KEROSENE ONLY



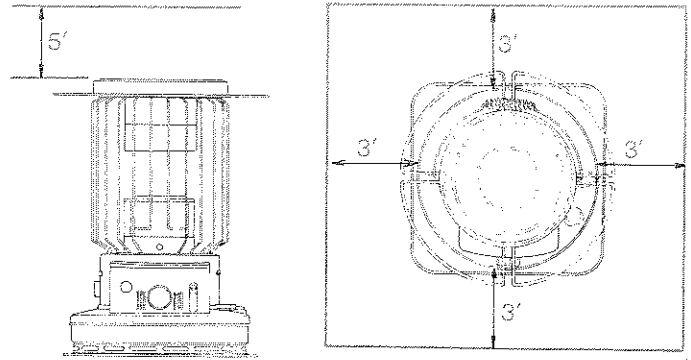
1. To guarantee maximum performance and to assure a long-life for your heater, use only pure, water-white, clear, K-1, low sulfur, kerosene. To make certain that you are using the proper grade of kerosene, place some in a glass jar and compare it to another glass jar containing clear water. They should appear identical.
2. Do not fuel or refuel your heater while it is hot. First turn the heater off and allow the cabinet to cool. Always fill with kerosene outdoors.
3. Remove the filler cap and using a siphon pump, fill the fuel tank with fresh, pure kerosene until the fuel gauge arrow is on "F". Securely replace the filler cap and wipe off any spilled kerosene. Be careful not to overfill the tank.



## SAFETY PRECAUTIONS

1. Use only clean, fresh and pure kerosene. Never use gasoline, naphtha, solvents such as alcohol, acetone and petroleum distillates. They are hazardous and may cause fire, explosion and serious injury.
2. Place heater on solid level surface.
3. Heater needs oxygen to operate. Therefore, do not use heater in small, closed areas such as bathrooms or tightly closed campers without providing an adequate source of fresh air.
4. Do not operate heater where it will be exposed to drafts.
5. HOT while operating. Do not touch. Keep children, pets and any flammable material or articles of clothing, furniture and curtains, etc. a safe distance away.
6. Do not move or service heater while burning. Extinguish first.
7. After extinguishing heater, make sure it is completely out.
8. Refuel outdoors when heater is cold to the touch.
9. Store kerosene in safe area. Keep kerosene and heater away from children.
10. Store fuel away from any heat source in an approved safety can clearly marked "Kerosene". Do not allow kerosene to be exposed to direct sunlight.
11. Keep outside of heater free of dust or spilled kerosene.

12. For safe operation of your heater, provide the minimum clearances from the heater to combustible materials as shown:



## PREPARATION BEFORE LIGHTING

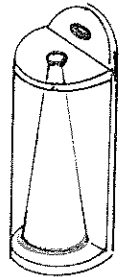
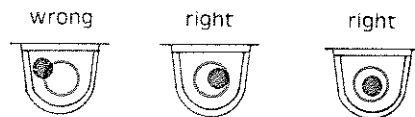
If the fuel tank has been empty for some time or the wick is new, it is necessary to allow 60 minutes for the wick to become saturated.

Each time you ignite the heater it is necessary to make sure the chimney assembly rotates easily from left to right.

When igniting your heater for the first time a slight odor and occasionally some smoke may occur which is caused by a preservative oil on the metal parts. Odor and smoke should disappear in a few minutes. For this reason, you may want to light your heater for the first time in a well-ventilated area, such as a porch.

## LEVELING

**IMPORTANT:** In order for the heater to operate properly it must be positioned on a level surface using the level indicator installed on the side of the cabinet as illustrated.



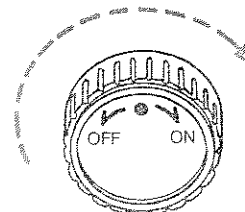
## VENTILATION

Your heater needs oxygen to operate. Before lighting your heater, it is important to provide a source of fresh air to the room. An opening of one-half inch in a window or door to an adjoining room is sufficient.

It is extremely important to provide a source of fresh air whenever the heater is operated in tightly confined areas, such as a bathroom, camper, boat, etc.

## SETTING THE AUTOMATIC SHUT OFF DEVICE

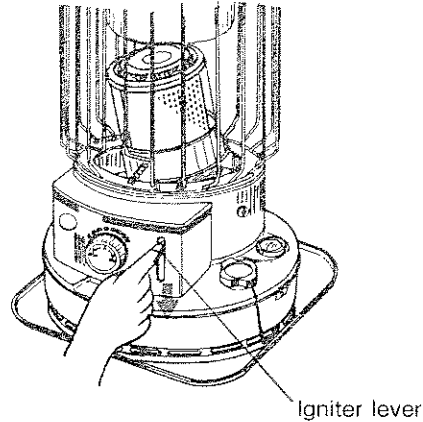
Set the automatic shut off device by turning the wick adjuster knob clockwise (to the right) until it stops.



## LIGHTING

1. Set the wick to the highest position by rotating the wick adjuster knob clockwise (to the right) until it stops. This is the wicks' highest position.

2. Push the igniter lever gently. Note how the chimney assembly tilts, exposing the wick. The ignition element should glow and touch the wick. Pushing the igniter lever too hard may damage both the wick and the ignition element and cause smoke. As soon as a flame appears, release the lever to minimize the chance of odor. Recheck the chimney assembly to make sure it is seated properly by rotating it to the left and right.



## LIGHTING WITH A MATCH

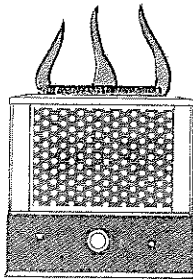
In the event the ignition element does not function, the heater may be lit with a match until the cause of the problem is found and corrected. Lift the chimney handle up gently. When the wick becomes exposed, touch a match to the wick. When lighting in this manner, do not allow burned parts of the match to fall or remain on the wick.

It is important to locate the cause of the igniter problem and check for worn-out batteries as soon as possible as described under "Troubleshooting".

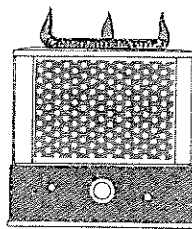
## FLAME ADJUSTMENT

Approximately 3 to 20 minutes after lighting, as the room and/or the heater temperature raises, the flame will appear above the coil and the entire chimney and circular coil should be glowing red.

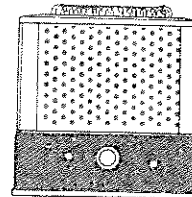
If flames rise more than one inch above the top plate of the chimney, turn the wick adjuster knob counterclockwise slightly to lower the wick. The optimum setting causes the entire chimney to glow red with an almost invisible blue flame barely showing above the chimney top. (Make sure to adjust the knob within the "HEAT ADJUSTMENT RANGE" until the correct setting is achieved.)



high wick  
INCORRECT



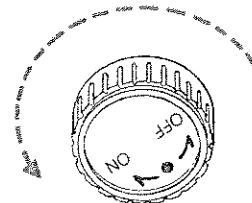
perfect burning  
CORRECT



low wick  
INCORRECT

## EXTINGUISHING

Turn the wick adjuster knob fully to the left (counterclockwise). The flame will go out in a short time. After extinguishing, always check that the flame is completely out. Whenever the heater is extinguished, allow to cool for at least five minutes before attempting to relight, as there is a possibility of a flare up if metal and glass components are still hot.



## THE EMERGENCY SHUT OFF BUTTON

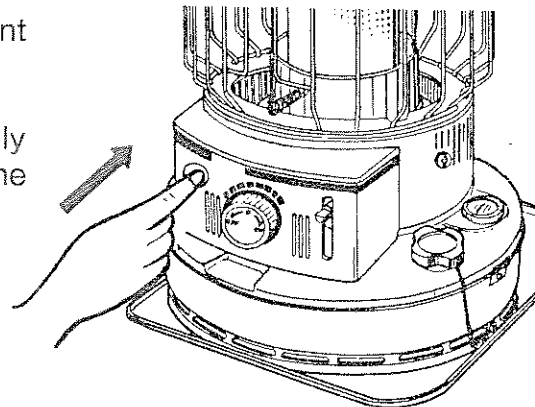
Use the emergency shut off button only in an emergency.

By pushing the emergency shut off button the wick will be lowered and the heater will be extinguished rapidly (in about 10 seconds).

A slight odor can occur by using the emergency shut off button. That is why we recommend using the wick control knob for extinguishing the heater.

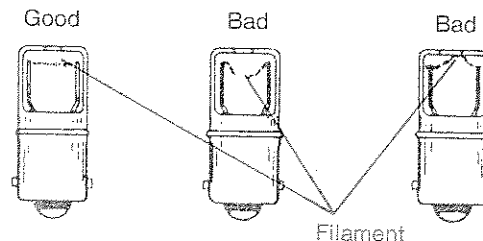
This shut off device will trip automatically in the event the heater is jarred or tipped over.

Make sure that the wick adjuster knob is turned fully to the left (counterclockwise) and the flame has gone out completely.



## MAINTENANCE

1. Always keep the heater in a clean condition. Using an unclean heater can create a dangerous situation and may reduce the life of the heater.
2. Always be certain that the base plate is free of any spilled fuel.
3. Check for distortion of the filament of the igniter occasionally (See Illustration). When the filament is worn the igniting time becomes longer (more than 10 seconds).



In such cases, replace the igniter with a new one. This procedure is outlined in the parts replacement section of your manual.

4. The batteries may need replacing if the ignition time is more than 20 seconds.

5. The wick may require cleaning after extended use. The wick should be cleaned when normal lighting cannot be obtained, when the wick adjuster knob is hard to turn, or when the wick becomes difficult to light.

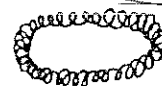
Regular cleaning of the wick, approximately once every week during periods of heavy use, could be necessary.

**IMPORTANT:** After extended use, tars will accumulate on the top edge of the wick, which will cause inefficient burning and difficulty in wick adjustment. Therefore it is important to clean the wick regularly. During the cleaning process there is a chance of odor. It is recommended that this procedure be done in a well ventilated area or outdoors. While cleaning the wick, do not lift the chimney assembly or lower the wick.

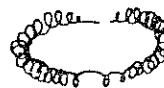
With chimney assembly in place, continue burning the heater even after the fuel in the tank is used up and until the flame disappears. Raise the wick as high as possible (knob turned fully to the right-clockwise) and let the flame burn until it goes out. This will burn off the tar and restore the wick to its original condition (the top edge of the wick will become grayish white). After allowing the heater to cool, lower the wick and, using a soft bristle brush, loosen any ash or soot accumulations from the burner and the wick. This must be done carefully to avoid fraying the wick. Finally, remove ash and soot carefully with a vacuum. The wick may require replacement after several cleanings.

6. Check for distortion of the circular coil.  
If it is distorted the color may not be uniform.  
Replace a deformed coil as shown in the "Parts Replacement" section.

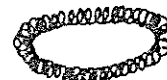
Bad



Bad



Good



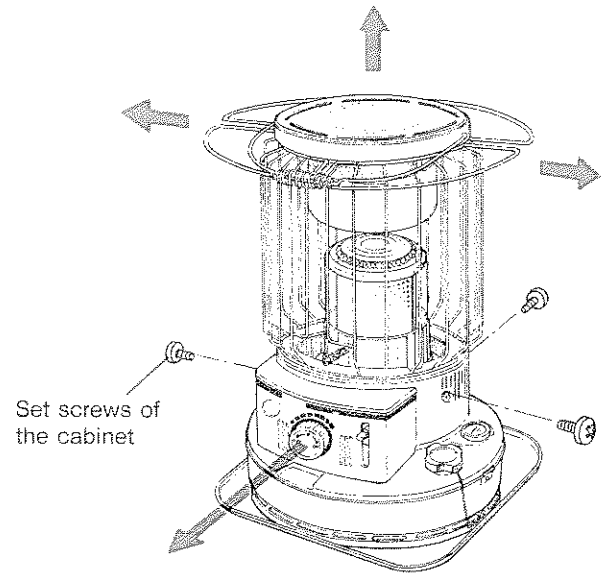
7. To use the heater again after cleaning the wick, lower the wick by turning the knob to the left (counterclockwise) until it stops. Fill the fuel tank with kerosene using a siphon pump and wait 60 minutes before lighting. This will give the wick time to become saturated with the kerosene.
8. Activate the emergency shut off button 2 or 3 times a season to confirm that the safety feature is functioning correctly.



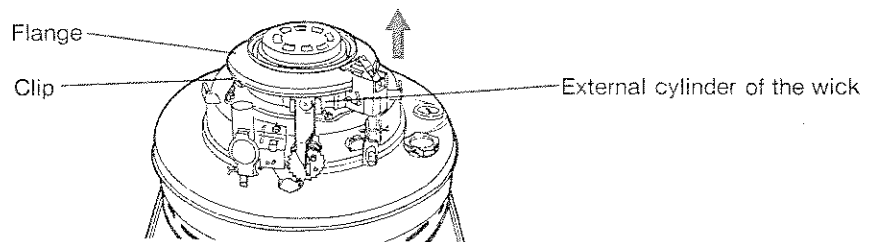
## PARTS REPLACEMENT PROCEDURES

### REPLACING THE WICK (Use only a factory authorized replacement wick).

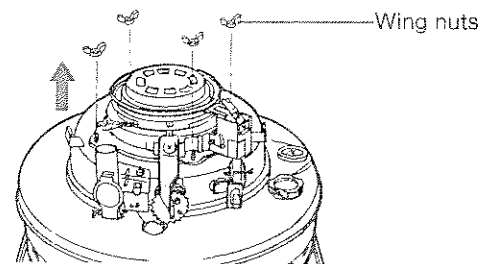
1. Push the emergency shut off button.
2. Remove the carrying handle by lining up the tab on the wire handle and the key hole slots on the grill collar. Pull out and remove. Then remove the top plate unit.
3. Lift out the chimney assembly.
4. Pull off the wick adjuster knob and remove the three set screws of the cabinet. Tilt the cabinet forward and remove it.



5. Remove the flange of the external cylinder of the wick by gently bending out the three clips around the edge.



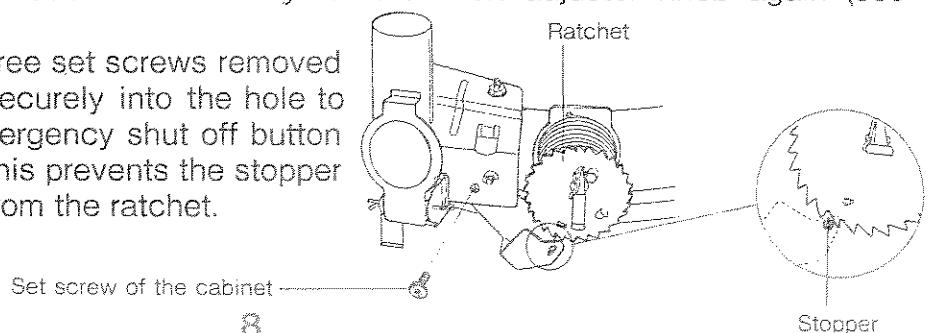
6. Unscrew the 4 wing nuts. To assure that the ignition wires remain intact, carefully remove the external cylinder of the wick and lay on the side of the heater.



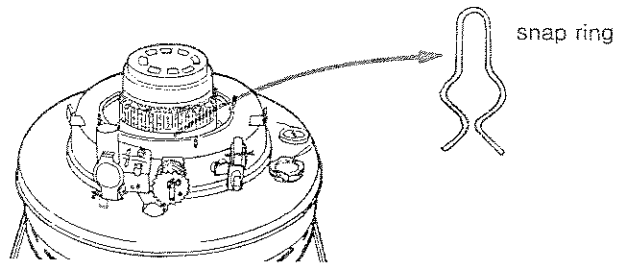
7. a. Replace the wick adjuster knob back on its shaft.

#### IMPORTANT

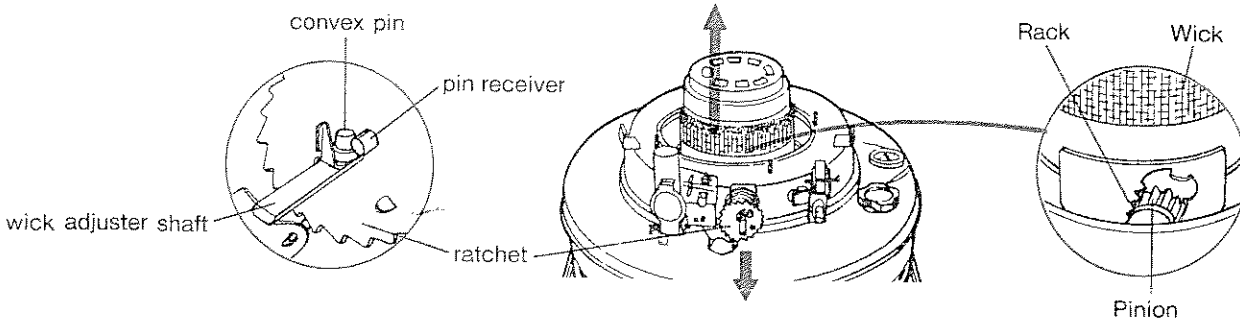
- b. Turn the knob one notch to the right (clockwise). You will hear one click as it position. If you go beyond one notch, reset the wick adjuster knob by pushing the emergency shut off button and carefully set the wick adjuster knob again (see illustration).
- c. Insert one of the three set screws removed from the cabinet securely into the hole to the right of the emergency shut off button (See illustration). This prevents the stopper from disengaging from the ratchet.



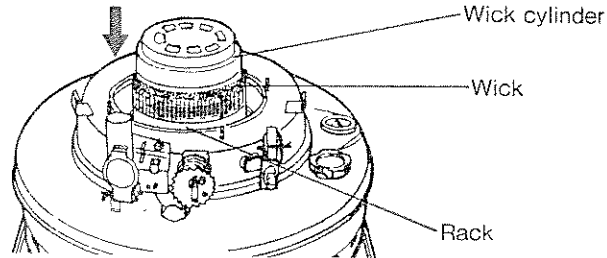
8. Using a pair of plyers, pull the snap ring from the groove of the collar.



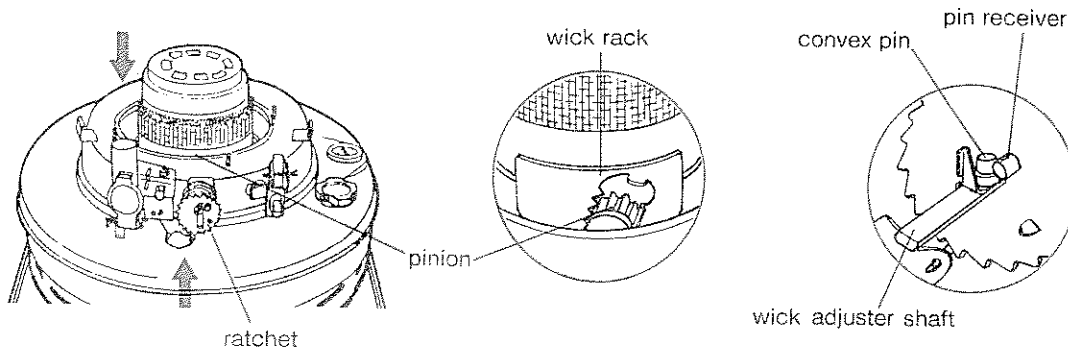
9. Carefully pull the wick adjuster shaft towards you (by about 6mm - 1/4") which removes the pinion at the end of the wick adjuster shaft from the rack of the wick holder. Remove the wick assembly from the unit.



10. Position the new wick assembly on the guide cylinder with the rack part of the holder facing the front; by moving the wick up and down and to the left and right. Position the wick at its lowest position.



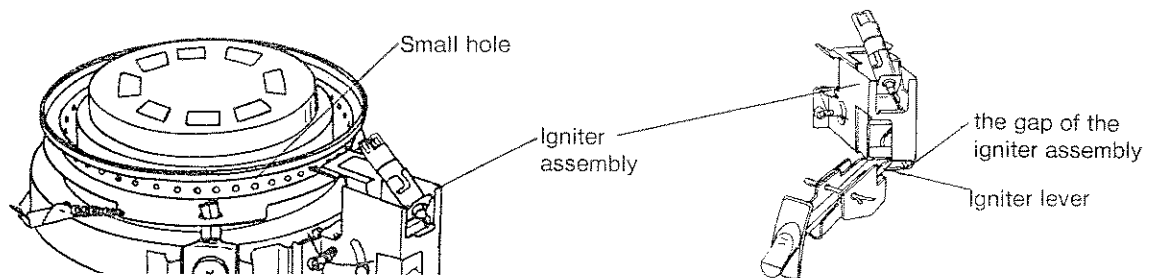
11. Assure that the convex pin is against the pin receiver as shown by turning the wick adjuster shaft to the right if necessary. With the wick at its lowest position insert the pinion into the wick rack by pushing the wick adjuster shaft until the pinion is in mesh with the highest teeth of the wick rack.



12. Reinsert the snap ring in the groove of the wick adjuster shaft.

13. Remove the set screw from the hole to the right of the emergency shut off button. If you did not insert the set screw of the cabinet at step 7b the stopper and the ratchet will not engage each other. Turn the wick adjuster shaft to the right until the pin receiver of the ratchet comes around to the top (approximately  $\frac{1}{4}$  turn) and insert the pinion into the wick rack by pushing the wick adjuster shaft until the pinion is in mesh with the highest teeth of the wick rack. Now follow step 12 through 16.
14. Position the wick at its highest position by turning the wick adjuster knob clockwise (to the right) until it stops. Replace the external cylinder making sure and secure with two wing nuts (placed diagonally) to assure that the wick moves up and down smoothly. Once the wick is operating smoothly attach the other two wing nuts being careful not to hit the automatic shut off pendulum which can result in an unsafe condition. Check to insure the small holes of the external cylinder are closed. If they are not closed your heater might not function correctly. If the holes are not closed the next step should correct this condition.

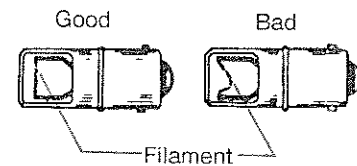
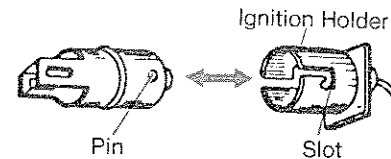
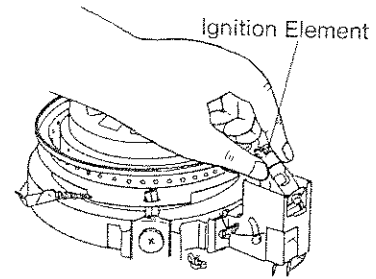
Note : Make sure that the igniter lever inserting to the gap of the igniter assembly.



15. Turn the wick adjuster knob clockwise (to the right) until it stops. Trip the automatic shut-off device by pushing the shut off button. Check to see that the wick has returned to its lowest position and the small holes in the external cylinder of the wick are open. If the small holes are not open — loosen the four wing nuts and rotate the external cylinder until the small holes are completely open. Now retighten the four wing nuts.
16. Return to step #5 through 2 and reverse the procedures to reassemble the heater after removing the wick adjuster knob.

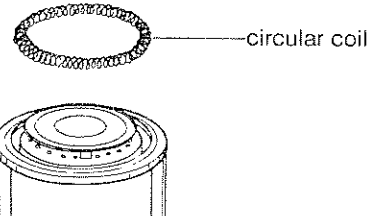
## REPLACING THE IGNITION ELEMENT

1. Remove the wire carrying handle and the top plate. Lift out the chimney assembly.
  2. Turn the wick adjuster knob to the left (counterclockwise) until it stops and remove the dry batteries from the rear of the cabinet.
  3. Pull off the wick adjuster knob and remove the three set screws of the cabinet. Tilt the cabinet forward and remove it.
  4. Push and turn the ignition element to the left which releases it and then remove it.
  5. Insert the new ignition element as shown and press inward and turn to the right until it locks.
  6. Replace the cabinet, the chimney assembly, the top plate, and the carrying handle.
  7. Replace the dry batteries.
- NOTE: Take care not to deform the new element.



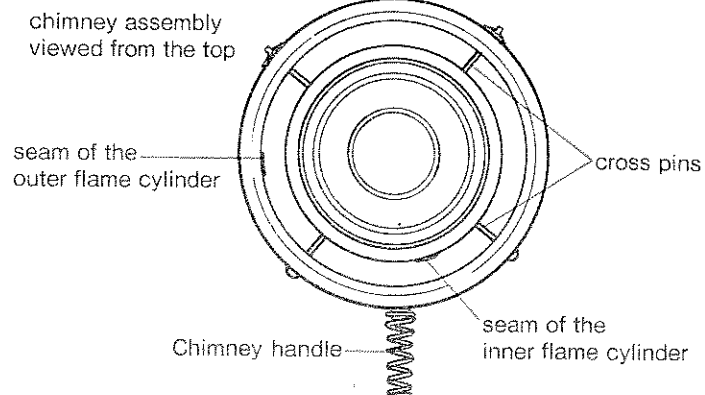
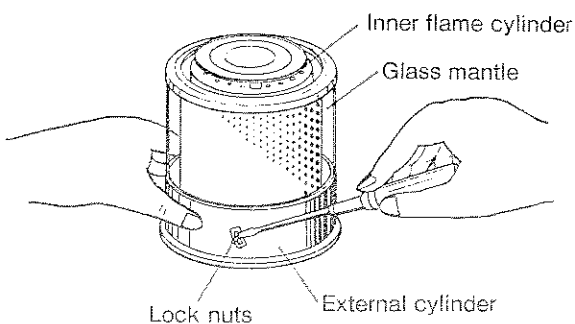
## REPLACING THE CIRCULAR COIL

Remove the old circular coil and replace it with a new one.



## REPLACING THE CROSS PINS AND THE GLASS MANTLE

1. Remove the circular coil as shown in the previous step.
2. Carefully remove the lock nuts with the tip of a screwdriver or pliers to prevent damaging the glass mantle, and remove the cross pin. When replacing only the cross pins it will be easier to replace one pin at a time.
3. Remove both pins to replace the glass mantle.
4. When reassembling the chimney assembly refer to the illustration for the proper positioning of the parts. Replace the lock nuts.
5. Assemble the circular coil referring to the illustration.

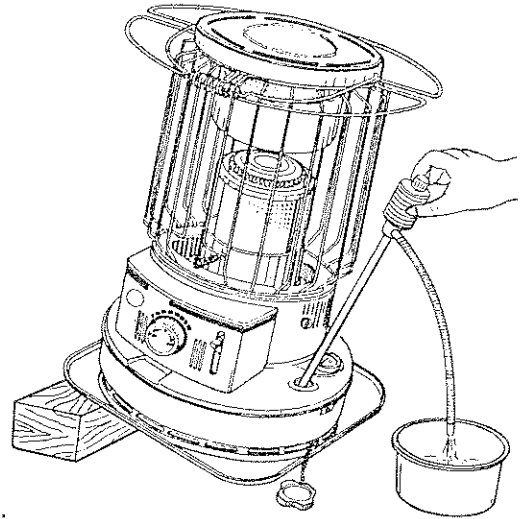


## STORAGE

1. Remove the fuel from the fuel tank. Water and foreign matter might be present in the tank which could lead to corrosion and potential leakage problems.

### TO REMOVE FUEL FROM FUEL TANK:

- a. Remove the carrying handle, the top plate and the two halves of guard ring. Lift out the chimney assembly.
  - b. Remove the filler cap.
  - c. Tip the heater as illustrated and insert a siphon pump to remove the fuel.
  - d. Wash and rinse the inside of the fuel tank with clean kerosene.
  - e. Remove any additional kerosene
2. Repack the chimney in protective packing and replace inside the grill. Reassemble the top plate and carrying handle.
  3. Remove the batteries and replace them with the new ones prior to the start of the next heating season.
  4. Push the automatic shut off button.
  5. Repack the heater in the original shipping carton.
  6. Store the heater in a well ventilated area.



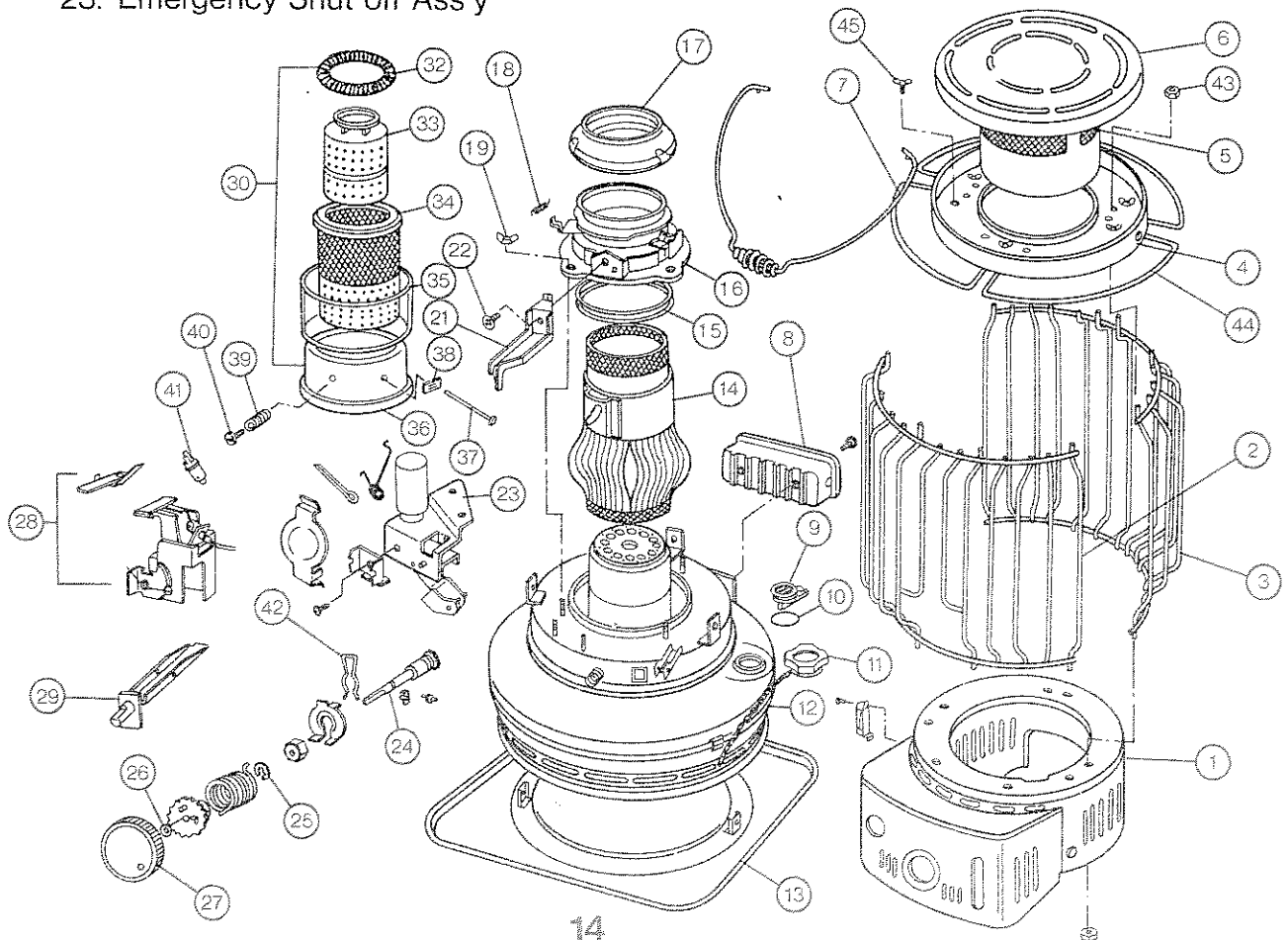
## TROUBLESHOOTING

SYMPTOM	CAUSE	CURE	PAGE
Wick will not ignite	Water is mixed with kerosene	Remove the fuel from the fuel tank. Replace the wick.	8, 12
	Out of fuel	Check fuel gauge-add fuel.	3
	Igniter won't glow	Replace batteries Replace igniter element	11
	Build up of tar on wick	Clean wick	7
	Wick adjuster knob is not rotated to the limit	Rotate wick adjuster knob clockwise (to the right)	4
Smoke or odor	Chimney not seated properly	Reseat chimney assembly	2
	Contaminated fuel	Remove the fuel from the fuel tank. Replace the wick	8, 12
	Build up of tar on wick	Clean wick	7
	Drafts	Relocate heater	
	Flame too high	Reduce wick height	5
	Circular coil or cross pins are deformed	Replace with new parts	11
Wick cannot be operated smoothly	Build up of tar on wick	Clean wick	7
	External cylinder of wick is not installed properly	Adjust the external cylinder	10
	Water is mixed with kerosene	Remove the fuel from the fuel tank. Replace the wick.	8, 12
Color of the chimney does not become red or Low Flame	Water is mixed with kerosene	Remove the fuel from the fuel tank. Replace the wick.	8, 12
	Build up of tar on wick	Clean wick	7
	Heater subject to wind or vibration	Move heater	
	Lack of ventilation	Supply air to the heater	4
	Circular coil or cross pins are deformed	Replace with new parts	11
Red flame or burning soot	Volatile fuel such as gasoline mixed in the fuel	Remove the fuel from the fuel tank. Replace the wick.	8, 12
	Chimney not seated properly	Reseat chimney assembly	2
	Heater subject to wind or vibration	Relocate heater	
	Lack of ventilation	Supply air to heater	4
	Circular coil or cross pins are deformed	Replace with new parts	11
<p><b>NOTE:</b> SHOULD YOU ENCOUNTER ANY PROBLEM WHICH YOU CANNOT SOLVE BY USING THIS MANUAL. DO NOT RETURN THE HEATER TO THE STORE. CALL OUR CUSTOMER SERVICE DEPARTMENT AT THIS TOLL FREE NUMBER FOR ASSISTANCE. 800-526-3986 IN NEW JERSEY, CALL: 800-942-7779</p>			

# REPLACEMENT PARTS

Should replacement parts be required, contact North American Product's Customer Service Department at this toll free number: 800-526-3986. In New Jersey call 800-942-7779.

- |   |                                |
|---|--------------------------------|
| 1. Cabinet Ass'y                        | 24. Wick Adjuster Shaft Ass'y  |
| 2. Grill Guard A                        | 25. Retaining Ring (Type E)    |
| 3. Grill Guard B                        | 26. Washer                     |
| 4. Grill Collar                         | 27. Wick Adjuster Knob         |
| 5. Sleeve                               | 28. Ignition Parts Ass'y       |
| 6. Top Plate                            | 29. Igniter Lever Ass'y        |
| 7. Carrying Handle                      | 30. Chimney Ass'y              |
| 8. Battery Case                         | 32. Circular Coil              |
| 9. Fuel Gauge Ass'y                     | 33. Inner Flame Cylinder Ass'y |
| 10. Fuel Gauge Packing                  | 34. Outer Flame Cylinder Ass'y |
| 11. Fuel Cap                            | 35. Glass Mantle               |
| 12. Fuel Tank Ass'y                     | 36. Glass Holder               |
| 13. Base Ass'y                          | 37. Cross Pin                  |
| 14. Wick Ass'y                          | 38. Lock Nut                   |
| 15. Packing                             | 39. Chimney Handle             |
| 16. External Cylinder of the wick Ass'y | 40. Screw                      |
| 17. Flange                              | 41. Ignition Element           |
| 18. Spring A                            | 42. Snap Ring                  |
| 19. Wing Nut                            | 43. Nut                        |
| 21. Flat Shaft                          | 44. Guard ring                 |
| 22. Screw                               | 45. Wing bolt                  |
| 23. Emergency Shut off Ass'y            |                                |



## CRESTLINE LIMITED WARRANTY

CRESTLINE warrants each heater sold by it against defects in factory materials and workmanship, under recommended use and maintenance, for a period of one year from the date of original retail purchase, subject to the following terms and conditions:

1. **Warrantor:** This warranty is issued by Crestline, a division of North American Products, Inc., Foot of Tillman Street, Raritan, New Jersey 08869.

2. **Persons to Whom Warranty Extends:** This warranty extends only to the original retail purchaser.

3. **Items Covered:** This warranty covers all parts and components of the heater (a complete list may be found in your Operation and Maintenance Handbook) manufactured by or for Crestline, except as provided in the next sentence. This warranty does not cover normal wear and tear and maintenance items, including, but not limited to wicks, batteries, ignition elements, burner nets, cylinder assembly pins, lock nuts, burner coils, and glass mantles.

4. **Limited Remedy:** If any part or component covered by this warranty proves to be defective in factory materials or workmanship within one year from the date of original retail purchase, we will, at our option, repair or replace the defective heater, part or component if a claim is made within that one year period. This is your sole and exclusive remedy and the limit of our liability under this warranty. We assume no responsibility for loss of use of any heater, loss of time, inconvenience, commercial loss, or other INCIDENTAL OR CONSEQUENTIAL DAMAGES, whether as a result of breach of express or implied warranty, negligence, strict liability or otherwise. Some states do not allow the exclusion or limitation of incidental or consequential damages, so the above limitation or exclusion may not apply to you.

5. **Procedure for Making Claims:** In order to obtain performance under this warranty, you must promptly notify us of any defect in one of the following ways

(1) call the Customer Service Department of Crestline at the following toll-free number: 800 -- 526-3986  
In New Jersey, call 800 -- 942-7779

(2) Send your name, address and telephone number, together with a statement describing the nature of the problem and your sales slip or other proof of purchase, to: Customer Service Department, Crestline, Foot of Tillman Street, Raritan, New Jersey 08869

DO NOT return the heater, part or component to Crestline or your dealer. You will be contacted by a representative from our Customer Service Department

If it is necessary to return the heater, part or component to Crestline, all transportation costs will be at your expense. We assume no responsibility for any damage that occurs during transit.

If the heater, part or component is returned for any cause not covered by this warranty, there may be a charge to you for testing, handling, packing and/or any repairs made by us.

6. **Other Exclusions and Limitations:** This warranty does not cover any malfunction or defect due to the negligence of others, failure to use or maintain the heater in accordance with the instructions in the Operation and Maintenance Handbook, accidents, alterations by changing or adding to the heater, normal wear and tear, misuse of the heater, or the use of any fuel other than fresh, pure kerosene

ANY IMPLIED WARRANTIES (INCLUDING WITHOUT LIMITATION THE WARRANTIES OF MERCHANTABILITY AND FITNESS FOR A PARTICULAR PURPOSE) ARE LIMITED IN DURATION TO THE DURATION OF THIS WARRANTY. THERE ARE NO EXPRESS OR IMPLIED WARRANTIES (INCLUDING WITHOUT LIMITATION THE WARRANTIES OF MERCHANTABILITY AND FITNESS FOR A PARTICULAR PURPOSE) WHICH EXTEND BEYOND THIS WARRANTY. Some states do not allow limitations on how long an implied warranty lasts, so the above limitation may not apply to you

All recommendations, information and descriptive literature supplied by us with respect to our heaters are believed by us to be accurate and reliable but do not constitute warranties.

No person is authorized to make any statement, representation or warranty, either orally or in writing, which adds to or varies the terms and conditions of this warranty.

7. **Legal rights:** This warranty gives you specific legal rights, and you may also have other rights which vary from state to state.

## SPECIFICATIONS

Model No.	3800/4800
Type of Heater	Radiant/Convection
Heat Output (BTU)	16,000
Fuel Tank	Built-in
Fuel Capacity US Gallons (Liters)	1.4 (5.299)
Room Size	20' x 28'
Burning Duration per tankful (hours)	11-19
Crestlite Ignition	Push Button Type
Dimensions (inches)	23½" x 17½" x 17½"

# NORTH AMERICAN PRODUCTS, INC.

TILLMAN ST. • RARITAN, N.J. 08869