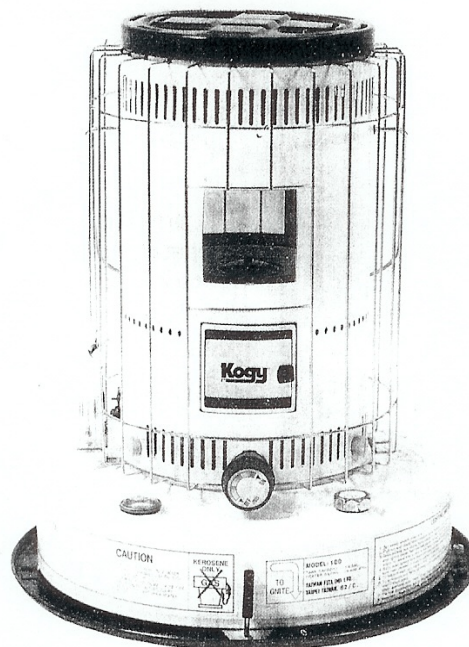


Miles Stair's
Wick Shop
Quality Kerosene Items since 1999

Kogy™

MODEL 100
KEROSENE HEATER



OWNERS MANUAL

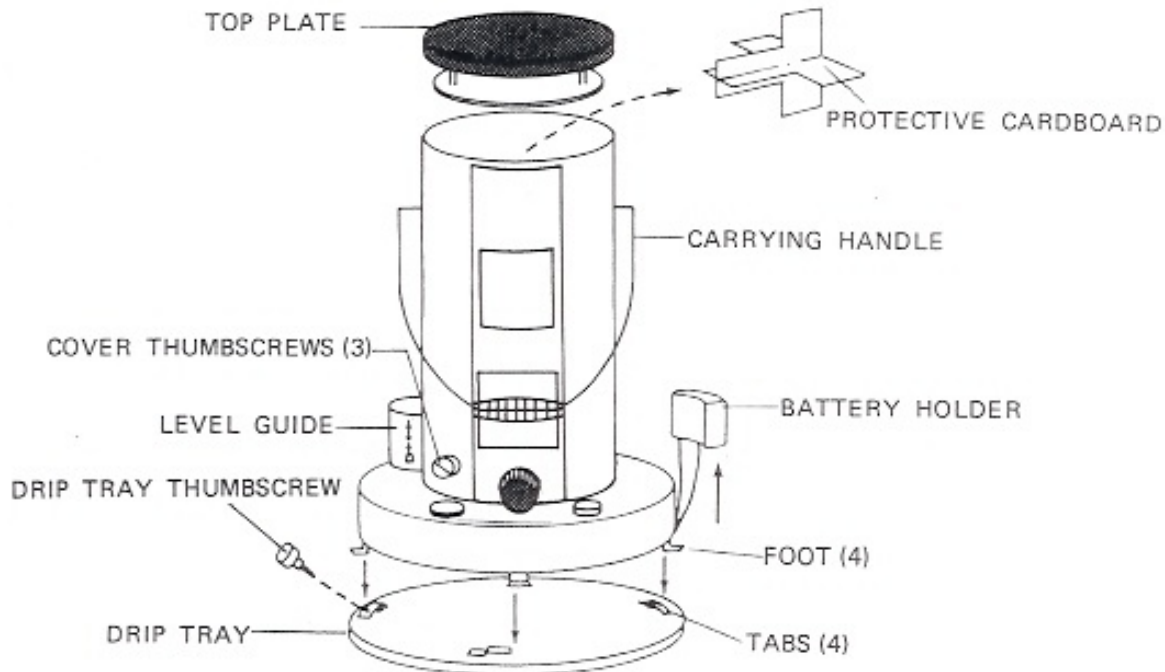
TAIWAN FITA INDUSTRIES, LTD.

32 CHUNG SHAN NORTH ROAD, SEC. 3

TAIPEI, TAIWAN, R.O.C.

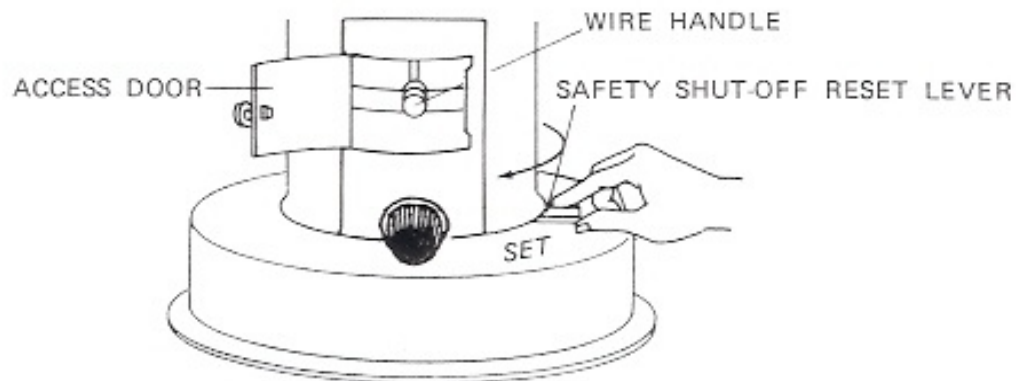
PREPARATION AND INSPECTION

1. Utilizing the carrying handle, remove the unit from its packaging. Be sure not to discard the syphon, batteries, warranty card and caution notice. Affixed to the outside of the carton is the peel off portion of the label containing your serial number. Remove this and place on your heater for future reference in ordering parts, etc.



2. Three thumbscrews around the bottom of the cover should be checked for tightness.
3. Remove top plate and remove packing material that has protected the unit during shipping.
4. Lift off battery cover and place batteries securely in their position. Be certain to install batteries properly according to polarization.

5. Place the heater at least 36 inches away from any wall, furniture, curtains, etc. The unit must be on a firm, level surface. Preferably the floor, located on the right hand side of the outer cover is a leveling device provided for your convenience. The heater should be place on a firm, level surface preferably the floor.
6. Move the Automatic Shutoff toward you into the SET position. Anytime the heater is jarred this safety device will operate and this procedure must be repeated.
7. Open the access door and make certain the wire handle is facing to the front.



8. Register Your Serial Number

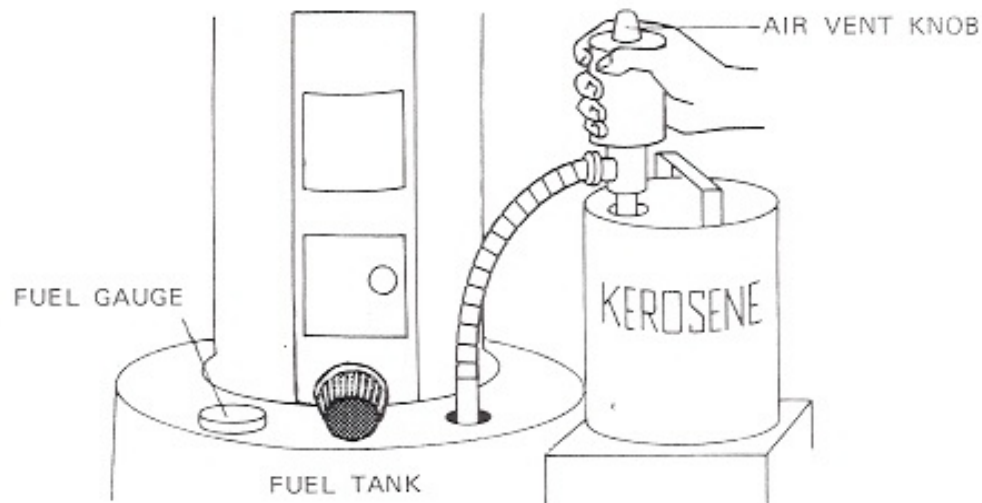
On the outside of the shipping carton, find a label with the serial number for your heater, Remove the peel-off portion and press it to the rear of the fuel tank, next to the batteries. If you need replacement parts or service in the future, please refer to this number.

Fill out and mail the warranty card.

Fueling

Warning

Do not refuel your heater while it is hot. First extinguish the flame and allow the cabinet to cool. Use only pure kerosene. Never use gasoline, white gas, camp fuel or other flammable liquids. Use of such fuels can result in an explosive fire and cause severe injury.



A syphon is supplied for easy fueling. After removing the Fuel Cap, insert the syphon and transport the kerosene into the unit. Do not overfill. Refer to the fueling gauge and when the gauge indicator reads "F", the unit is full. If any spillage took place, wipe clean at this time.

The syphon is easy to use if the following instructions are adhered to:

- Insert the straight or rigid tube into the kerosene container.
- The flexible hose gets inserted into the heater fuel tank.
- Elevate the kerosene container above the heater and close the syphon top vent (turn clockwise).
- Pump the bulb until the kerosene starts to flow. After the unit is full, reverse the procedure and open top vent to stop the flow of kerosene.
- Remove the syphon and replace the fuel cap.

Warning

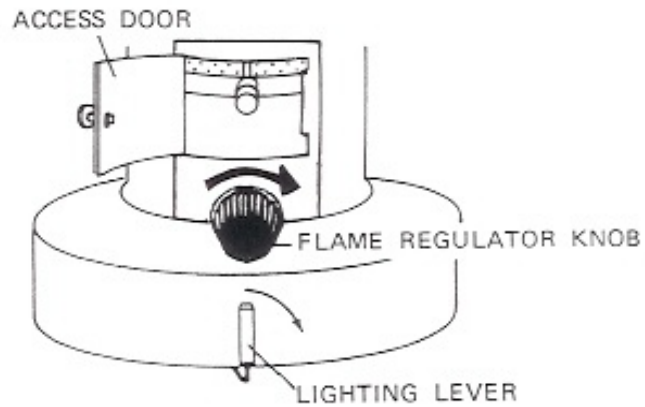
1. RISK OF EXPLOSION.
 - A. Never use any fuel other than pure kerosene.
 - B. Never refill heater fuel tank when heater is operating or still hot.
 - C. Never use heater in areas where flammable vapors or gases may be present.
 - D. Never fill heater fuel tank in living space. Fill heater tank outdoors. Use syphon to avoid spillage.
 - E. Never store kerosene in any container other than an approved safety can or store kerosene in the living space.
2. Due to high surface temperatures, keep children, clothing, and furniture away.
3. Risk of asphyxiation, use heater only in well ventilated areas.
4. Store fuel far away from any heat source, in a can clearly marked KEROSENE.
5. Do not move, service or refill heater while it is burning or hot. Extinguish flame first and let heater cool.
6. Provide adequate ventilation. The heater needs oxygen just as you do. Leaving a door ajar to an adjacent room normally provides sufficient ventilation: In small, tightly sealed areas, open a window slightly.
7. When turning heater off, make sure the flame is completely extinguished, using flame regulator knob.
8. Keep outside of heater free of dust or spilled kerosene.
9. Follow maintenance instructions for optimum performance.
10. Keep heater level
11. Keep cap on fuel port tightly secured.
12. Avoid drafts.
13. The heater should not be used until the base is installed.

Ventilation

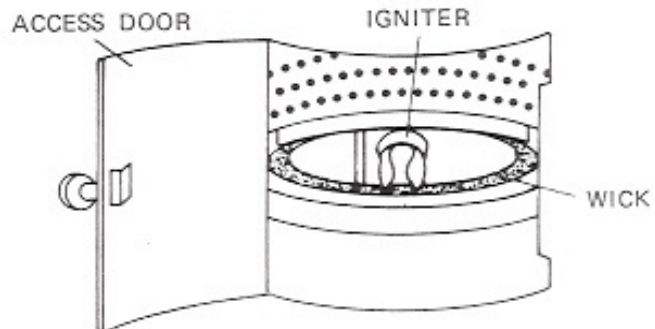
In a house of typical construction, that is, one which is not of unusually tight construction due to heavy insulation and tight seals against air infiltration, an adequate supply of air for combustion and ventilation is provided through infiltration if the heater is used in a room providing 120 cubic feet (3.40 m³) for air space for each 1000 Btu per hour of heater rating, considering the maximum burner adjustment. If the room size is not sufficient to provide this (1) the door(s) to adjacent room(s) should be kept open, or (2) at least two permanent free air opening should be provided, one near the top (ceiling) of the room and one near the bottom (floor) with each opening having a free area at least equivalent to 1 square inch per 1000 Btu per hour heater rating when the heater is in operation, or (3) additional air should be provided through windows. "If the heater is operated in a confined space within a building having insufficient air because of tight construction, the air for combustion and ventilation should be obtained from the outside or from spaces freely communicating with the outside. Under these conditions a permanent opening or openings having a total free area of not less than 1 square inch per 5000 Btu per hour or heater rating should be provided."

Lighting

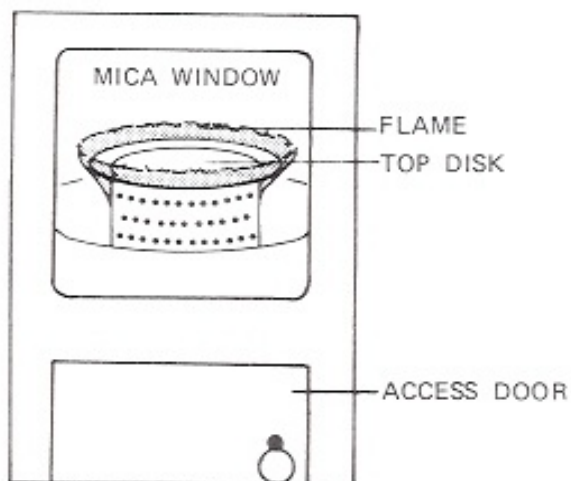
1. Elevate the wick by turning the flame regulator knob clockwise until it stops. This is the height for maximum heat output of this unit.
2. The lighting level is located on the left side of the unit. Pull this lever toward you and note the igniter striking the wick causing ignition. This is easily visible through the open access door. Retain this position until the wick is ignited. Release the igniting lever as soon as combustion takes place. Close the access door.



it is normal upon initial combustion for a slight odor and smoke to appear. This is caused by oil protecting the internal parts.



After operating the unit for several minutes and the chamber has become heated, view the height of the flame through the Mica Window. Normal or full B.T.U. output will be accomplished when the flame is approximately one-half inch above the top disk of the heat chamber. Adjust the flame to obtain desired heat by rotating the flame regulator knob.



Extinguishing Heater

1. The flame regulator knob controls the lowering and raising of the wick. Turn this knob counterclockwise until it stops. Then pull the knob toward you and continue turning. This should require approximately two and one-half turns to the next stop position. You have now lowered the wick to its lowest position and the flame will extinguish.

NOTE: THE AUTOMATIC EXTINGUISHER IS NOT TO BE USED TO EXTINGUISH THE HEATER. THIS IS ONLY A PART OF THE SAFETY MECHANISM WHICH IS PROVIDED TO AUTOMATICALLY EXTINGUISH THE FLAME IN CASE OF TIP OVER.

Troubleshooting

Here are common symptoms which may appear during operation of your heater. Most are easily corrected, as shown below.

Symptom	Cause	Cure	Page
Smoke or odor.	Heat chamber tilted, and not sitting evenly above wick	Move wire handle until heat chamber seats, and moves smoothly back and forth.	4
	Flame too high.	Reduce wick height.	8
	Dirty wick.	Clean or trim wick.	10
	Drafts.	Relocate heater.	6
	Contaminated fuel.	Drain tank, dry wick and replace with fresh, clean kerosene.	—
Flickering or dying flame.	Wick coated with tar or carbon.	Clean or trim wick.	10
	Water in kerosene.	Empty tank, refill with clean fuel. Remove wick, dry out on a sheet of newspaper. Re-install wick.	—
Wick won't ignite.	Out of fuel.	Check fuel gauge, add fuel.	5
	Igniter won't glow.	Replace batteries. Replace igniter coil.	4 13
	Igniter coil touches side of wick.	Lower wick by turning flame regulator knob until igniter touches <i>top</i> of wick.	8
	Water in kerosene.	Empty tank. Remove wick, dry out on sheet of newspaper. Re-install wick. Refill with clean fuel.	—
Flame regulator jakes.	Excess tar on wick.	Clean wick.	10
	Water in kerosene.	Empty tank, remove wick, dry out on sheet of newspaper. Re-install wick. Refill with clean fuel.	—
Wick burns down too fast.	Kerosene contaminated with gasoline, paint thinner, denatured alcohol or other volatile substance.	Drain tank and replace fuel with fresh, clean kerosene. Replace wick.	—

WICK MAINTENANCE

The telltale signs of the wick needing maintenance are: Difficulty in raising and lowering the wick; A flickering or low burning flame; Black residue, which is tar building up on the top edges of the wick.

Solution:

Allow the heater to burn up the fuel in the tank. When the fuel gauge is reading "E", raise the wick to its highest position and allow it to burn until the flame goes out by itself. During this process, an odor and perhaps some smoke will be emitted from the unit. We, therefore, suggest it be done outside or in a well ventilated area.

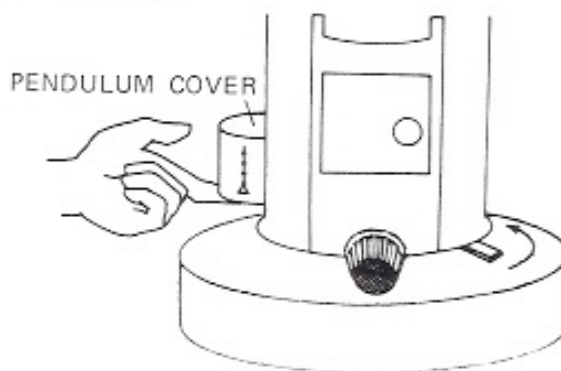
A light brushing should remove any residue still remaining on the wick. It then is essential to vacuum the deposits which have fallen onto the burner area.

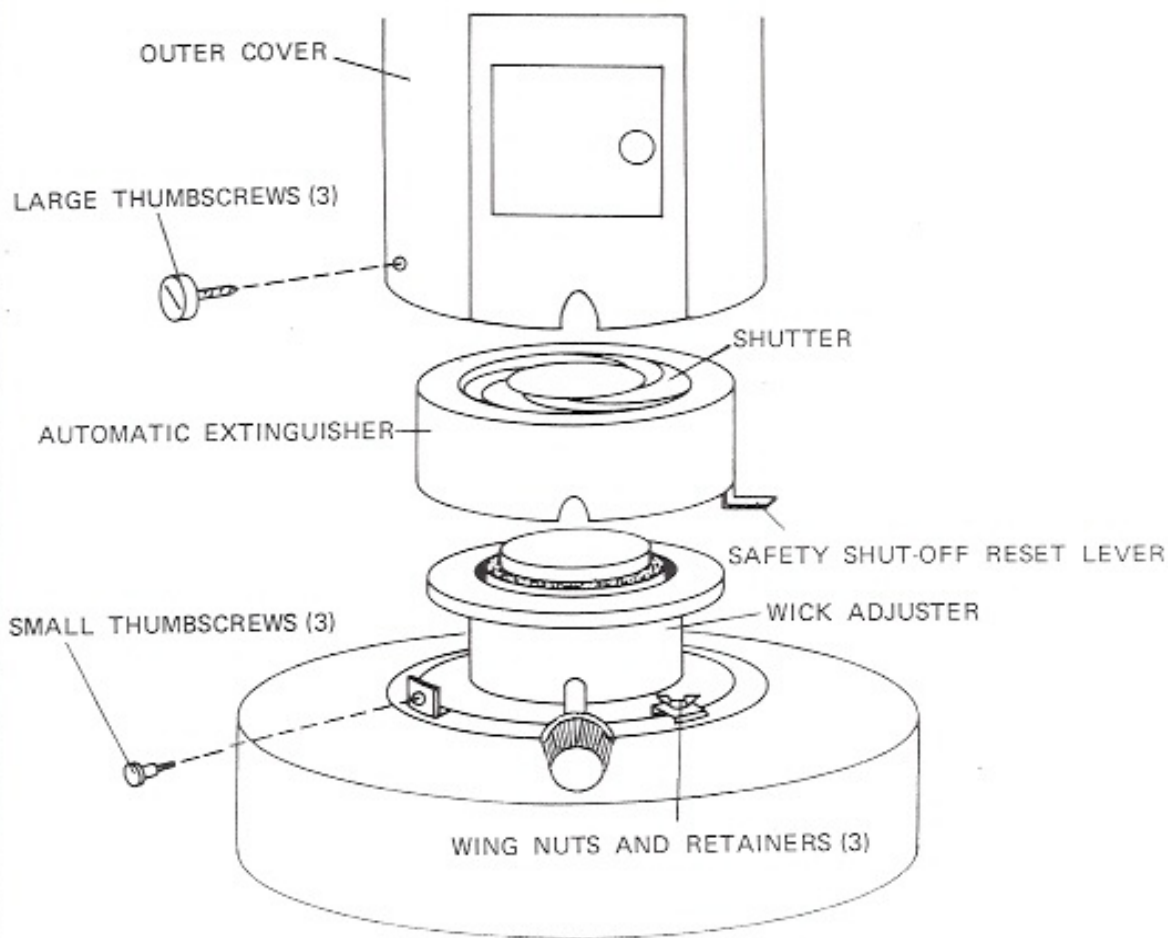
To Replace the Wick

Before disassembly of your heater, allow it to cool completely.

1. Release the Automatic Shutter

The shutter is released by placing a finger under the pendulum and pressing up on the small button.





2. Remove the Outer Cover.

3. Remove the Automatic Extinguisher

Loosen three small thumbscrews which hold the extinguisher assembly.

CAUTION: BEFORE LIFTING THE AUTOMATIC EXTINGUISHER ASSEMBLY, PULL THE SAFETY SHUT-OFF RESET LEVER TOWARD YOU ABOUT TWO INCHES. THIS OPENS THE SHUTTER SUFFICIENTLY TO CLEAR THE WICK ASSEMBLY. NOW YOU CAN LIFT OFF THE EXTINGUISHER ASSEMBLY.

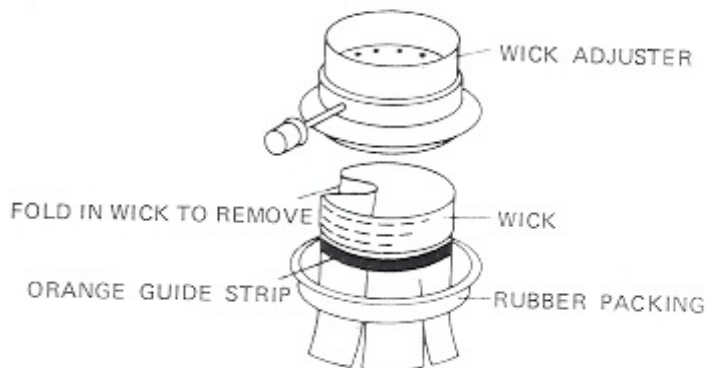
4. *Remove the Wick Adjuster Assembly*

The wick adjuster is held by three wing nuts and retainers. Loosen the wing nuts and turn the retainers until you can lift out the wick adjuster assembly.

5. *Remove the Old Wick*

Slide the rubber packing off the wick.

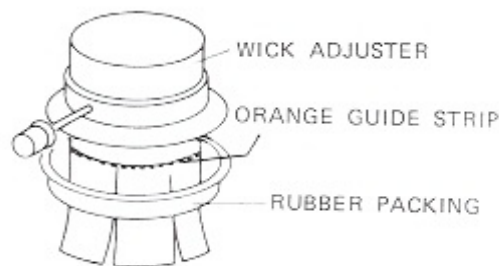
Fold in the wick to free it from the wick adjuster. Remove the wick.



6. *Install the New Wick*

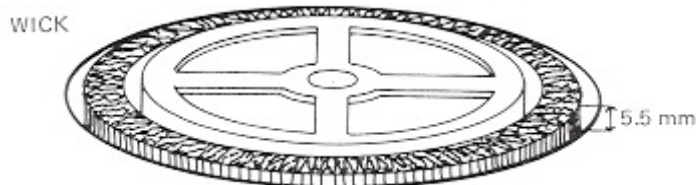
Turn the flame regulator knob counterclockwise (so wick will be at its lowest position).

Fold the new wick and insert it into the wick adjuster. Note orange guide strip on the outside of the wick; it should be aligned with the bottom edge of the adjuster, as shown.



Turn the flame regulator knob clockwise and check if the wick protrudes 5.5 mm above the rim of the adjuster. When the wick is in this position, press it against the teeth inside the adjuster.

Push the rubber packing over the wick, being sure the tails of the wick extend downward.



Lower the wick adjuster into the fuel tank, guiding the wick so it fits evenly in place. Point the flame regulator knob to the front of the heater.

Operate the flame regulator knob to be sure the wick moves smoothly up and down. If any ragged edges appear at the top of the wick, trim them with a scissor.

7. Reassemble the Heater

Fasten the three retainers and wing nuts which hold the wick adjuster.

Before lowering the automatic extinguisher, open the shutter slightly by pulling the safety shut-off reset lever. This allows the extinguisher assembly to fit over the wick adjuster. To seat the extinguisher assembly be sure to line up the notch at the bottom with the flame regulator knob.

Secure the extinguisher assembly with the three small thumbscrews.

Replace the outer cover and fasten it with three large thumbscrews.

BEFORE LIGHTING A NEW WICK
FOR THE FIRST TIME, ALLOW 15
MINUTES FOR THE MATERIAL TO
SATURATE COMPLETELY WITH
KEROSENE.

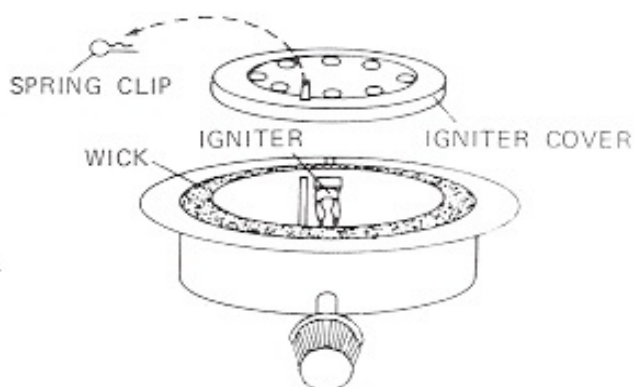
To Replace the Igniter

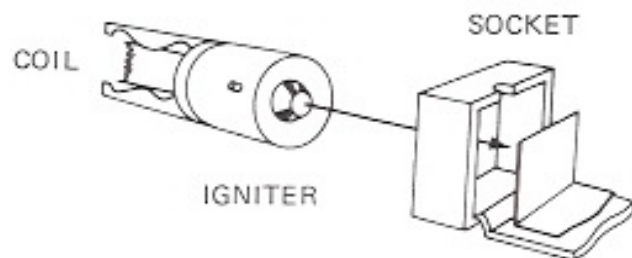
When the igniter no longer glows sufficiently to light the wick, check the batteries. If replacing the batteries doesn't restore the glow, the igniter coil may be burned out.

To change the igniter, start by disassembling the heater as described in Steps 1, 2 and 3 of the preceding section; Release the Automatic Shutter, Remove the Outer Cover, and Remove the Automatic Extinguisher.

Pull off the small spring clip on top of the igniter cover and lift the cover out of the way.

Press the lighting lever to raise the igniter into view.





Note how the igniter fits into a bayonet socket which resembles a flashlight lamp and holder. To remove the igniter, push in and twist (either direction) to release it from the socket. At the same time, support the socket with your other hand.

After the igniter is renewed, replace the igniter cover and install the spring clip.

Install the automatic extinguisher, the outer cover and battery compartment, as described in Step 7 of the preceding section, "Reassemble the Heater".

Parts and Service

For parts and service, see your authorized dealer. If additional assistance is needed, send a brief letter stating the nature of the problem, the name and address of your dealer, and your own address and telephone number to:

CONSORT PRODUCTS CORP.

100 North Hickory Ave.,

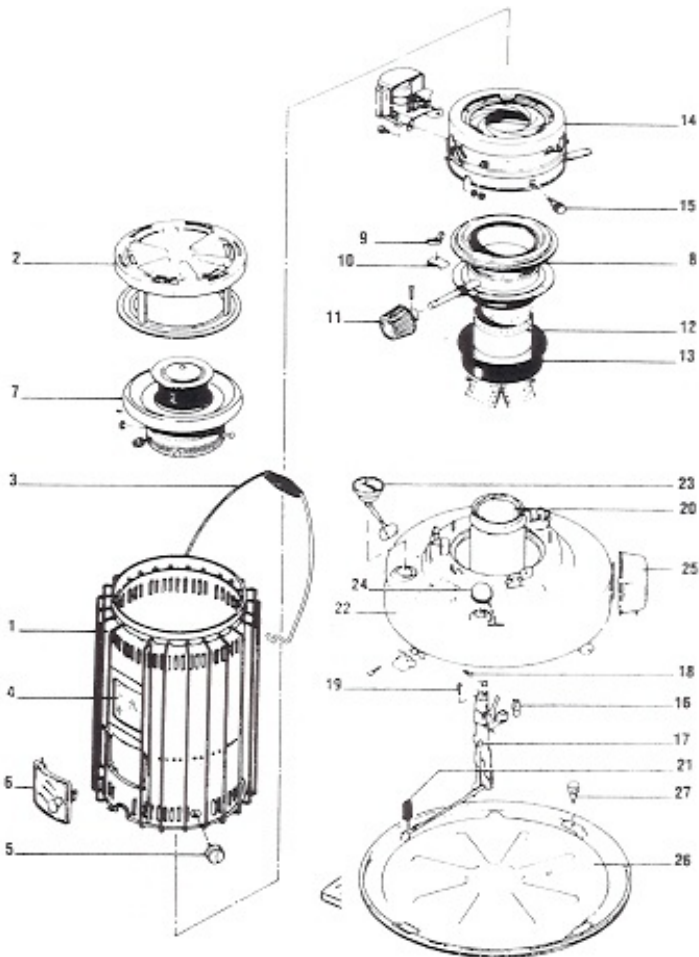
Arlington Heights,

Chicago, ILL. 60004

TEL: (312) 392-4363, 577-5000

KOGY 100 Parts List

Name	Ref. No.
OUTER COVER	
Outer cover complete	1.
Top plate	2.
Carrying handle	3.
Mica window	4.
Thumbscrew for cover (3)	5.
Access door	6.
BURNER	
Heat chamber complete	7.
Wick adjuster w Knob	8.
Wing nut	9.
Retainer	10.
Flame regulator knob with screw	11.
Glass fiber wick	12.
Rubber packing	13.
AUTOMATIC EXTINGUISHER	
Automatic extinguisher/ pendulum	14.
Thumbscrew for extinguisher (3)	15.
IGNITER	
Igniter Coil	16.
Igniter unit	17.
Spring clip	18.
Igniter screw	19.
Igniter cover	20.
Lighting lever	21.
FUEL TANK	
Fuel tank complete	22.
Fuel gauge	23.
Fuel filler cap-with chain	24.
Battery holder	25.
DRIP TRAY	
Drip tray	26.
Thumbscrew	27.



Miles Stair's
Wick Shop
www.MilesStair.com
Quality Kerosene Items since 1999
