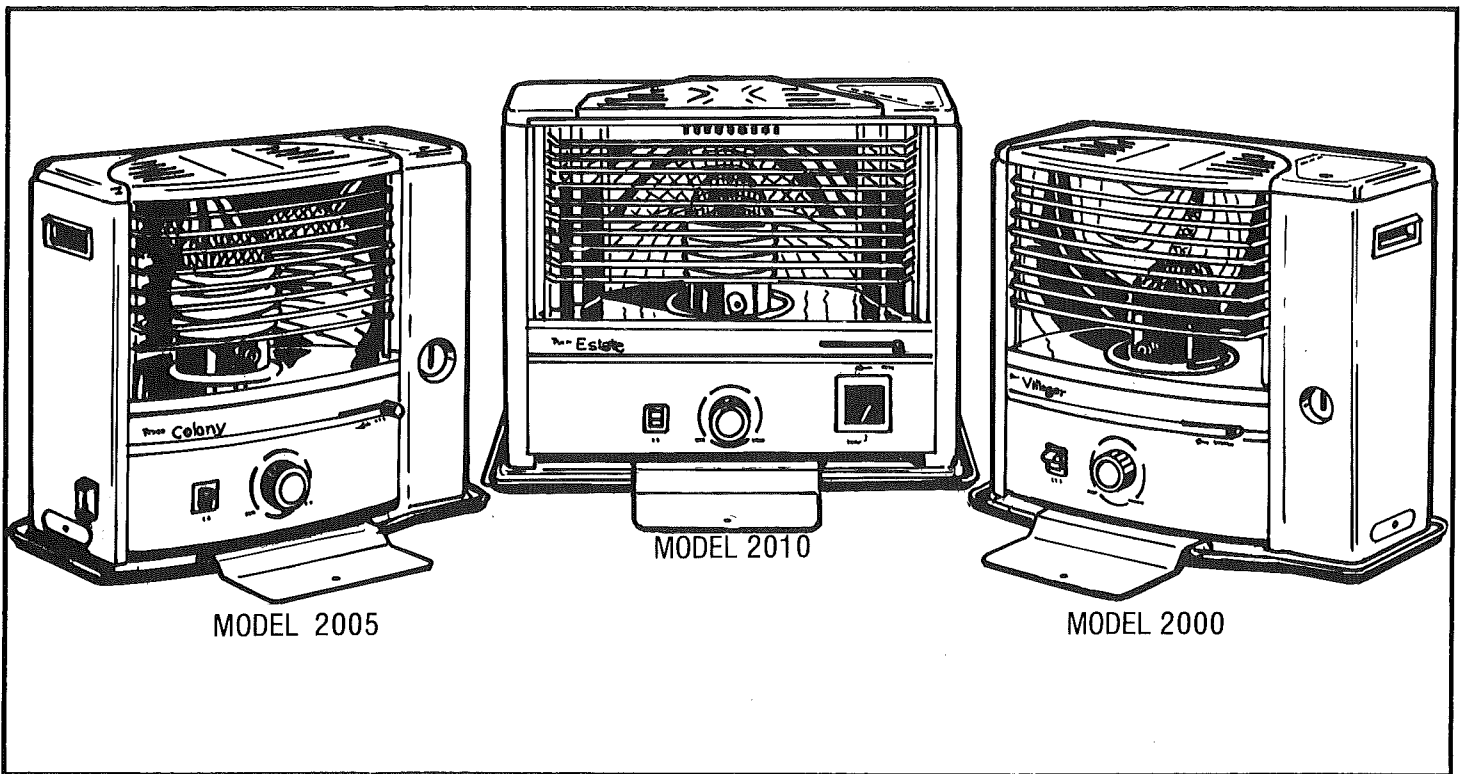


# Turco

**TOWN & COUNTRY  
PORTABLE KEROSENE HEATERS  
OPERATIONS & MAINTENANCE MANUAL  
WITH PARTS LIST**



MODEL 2005

MODEL 2010

MODEL 2000



All Turco Reflective Heaters are UL Listed.

# KEROSENE HEATER FUEL AND SAFETY GUIDE

## USE IN WELL VENTILATED AREA

### WARNING

**BURN ONLY KEROSENE** in this heater. The use of gasoline, white gas, Coleman fuel, or any substitute can be extremely dangerous.

Read all instructions and caution labels before using.

### KEROSENE ONLY



### WARNING

Use pure clean kerosene only. Never use any other fuel such as diesel fuel, gasoline, fuel oil or any volatile fuel.

#### HOW TO SELECT PROPER KEROSENE:

- It must be clear with no visible contamination.
- Deteriorated kerosene will appear yellow in color and smell sour.

#### PROPER STORAGE TO AVOID DETERIORATION.

- Do not store in polyethylene container for long periods of time.
- Do not store in direct sunlight for long periods of time in transparent container.
- Do not store in hot areas for long periods of time.

#### CORRECTIVE ACTION:

Check the wick after burning a tank of fuel each time you purchase kerosene. If tar has deposited around the top of the wick, remove and clean. Replace wick if necessary. Drain reservoir and clean with clean pure kerosene. If contaminated or deteriorated kerosene is used, tar will deposit on the wick in 1 to 30 days of use. This will cause odor and reduced heat output.

#### NOTE:

At high altitudes, some noise may be heard from the chimney, due to the effects of less dense air. This does not affect the operation of the heater.

### SAFE OPERATION

1. Improper use can result in serious bodily injury, fire hazards, carbon monoxide poisoning or burns.
2. Use in areas free of flammable vapors such as gasoline, paint thinner or other flammable vapors.
3. Never fill heater fuel tank in living space. Fill heater tank outdoors.
4. Never store kerosene in any container other than an approved safety can nor store kerosene in the living space.
5. Do not use in areas with a high dust concentration present in the air.
6. Use in a well ventilated area to avoid carbon monoxide poisoning. Allow 40 square inches of ventilation for each 10,000 B.T.U. of output.
7. Keep children away from heater.
8. Never leave heater burning while asleep or leaving room.
9. Check periodically for proper burning. If emergency occurs, extinguish by pushing down on the Instant Off switch.
10. Position heater at least 5 feet away from furniture, walls or other combustible materials such as drapes and clothing.
11. Never remove guard.
12. Do not move, handle or fill tank while heater is burning.
13. Do not transport heater in any vehicle, vessel, unless all kerosene has been removed to prevent accidental spillage of kerosene.

Your Turco kerosene heater is designed and constructed for many years of safe efficient use. To assure safe and proper performance of your heater, please read this manual carefully.

#### BUILT IN SAFETY SHUT OFF

If your heater is tilted or bumped hard while lit it will automatically shut off.

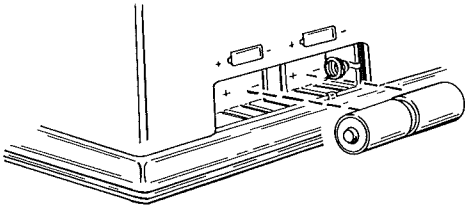


# PREPARING YOUR HEATER FOR USE

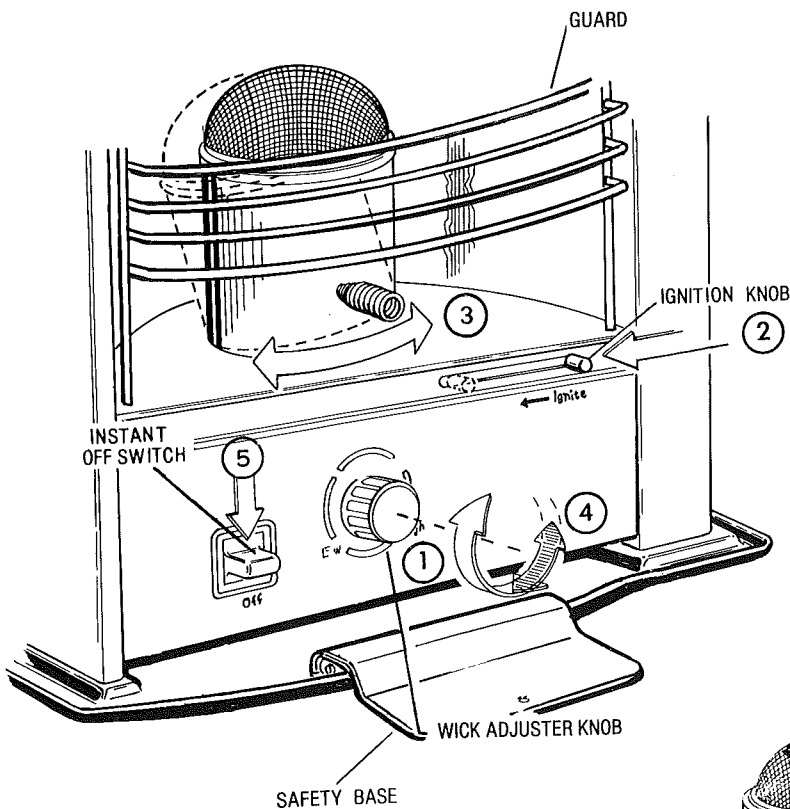
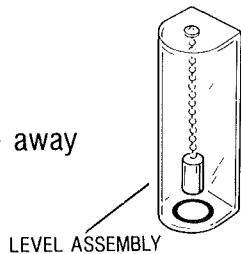
Remove and fill tank, making certain that the cap is properly installed and does not leak.  
Wipe away any spilled kerosene.  
Wait 20 minutes for wick to absorb kerosene to avoid damage to wick.

## USE KEROSENE ONLY. DO NOT USE GASOLINE OR ANY OTHER FUEL.

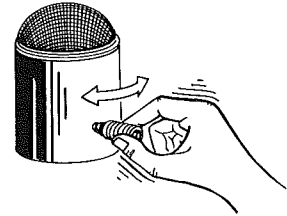
- (A)** Install 2 "D" Size Batteries (Not Provided)



- (B)** Place the heater on a level surface away from combustible materials.



- (C)**
- 1 Turn the wick adjuster knob clockwise until it stops.
  - 2 Push ignition knob to the left to ignite wick. The chimney will tip at this point. When wick is lit, return ignition knob.
  - 3 Turn the wire handle on the chimney from side to side several times to make certain it is seated properly.



Within 3 minutes the flame will rise, in another minute the chimney coil will glow.

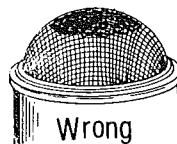
- (4)** If the chimney net has a blackish cast, raise the wick by turning adjustment clockwise.

If flame appears above chimney net, lower wick (counter-clockwise).

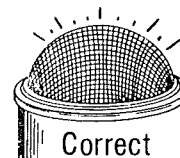
The chimney coil and net should have a clear bright red glow.

- (5)** For instant shut off, push down on Instant Off switch

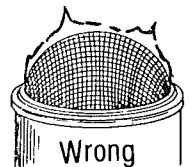
## FLAME ADJUSTMENT



WICK TOO LOW



BRIGHT RED GLOW

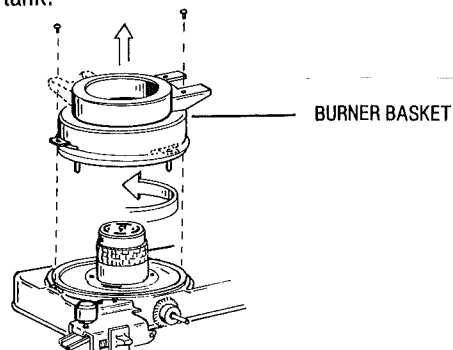
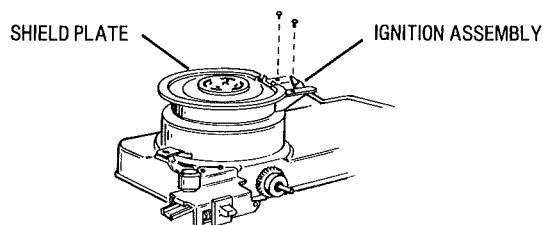


WICK TOO HIGH

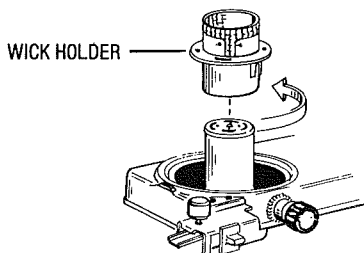
## CHANGING THE WICK

The wick of your heater needs replacing if, after repeated cleanings any of the following conditions exist: slow light - heavy movement of the wick adjuster knob - kerosene odor while burning - low heat output - slow warm up - damaged wick.

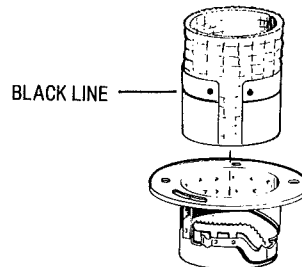
1. After heater has cooled, remove the tank and chimney assembly, also remove the 2 "D" size batteries.
2. Remove the wick adjuster knob and ignition knob by pulling straight off.
3. Remove the two screws on the front plate. Tilt the top of it toward you and lift straight up.
4. Remove the two screws on the sides of the cabinet and lift it off.
5. Remove the two screws which fasten the automatic ignition assembly. Lift off the ignition assembly and the shield plate.
6. Remove the two screws which fasten the burner basket. Turn the burner basket counter clockwise about 1/4 turn and pull straight out. Do not wipe away the sealer paint on the lower tank.



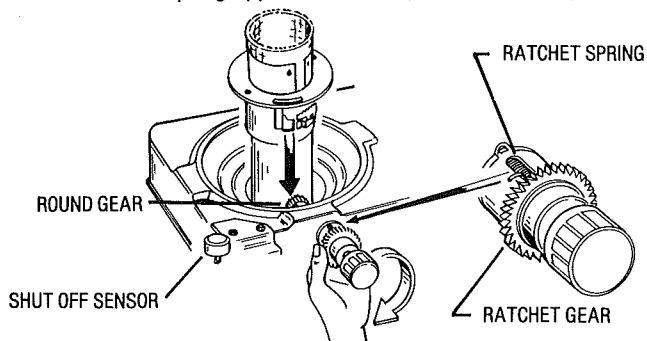
7. Replace the wick adjuster knob and turn counter clockwise till it stops. Turn the wick holder counter clockwise and pull it straight out with the wick.



8. Peel the old wick out and insert new wick. Make certain that the black line around the wick lines up with the top of the wick holder. Reach inside and press the wick into the teeth inside the wick holder.

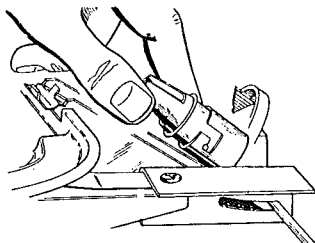


9. Lean the weight to the shut off sensor to one side. Hold the plastic ratchet gear still and turn the wick adjuster knob clockwise until it stops. Without holding the gear, continue turning the wick adjuster knob until the ratchet spring appears on the top of the assembly.



10. Install the wickholder so that the small opening in the side lines up with the round gear on the wick adjuster shaft.
11. Turn the wick holder clockwise until the round gear makes contact with the gear track on the side of the wick holder. Turn the wick adjuster knob about 1/2 turn clockwise to engage gears.
12. Replace burner basket by inserting the two pins in the bottom into the two holes in the top of the wick holder. Fasten down burner basket with the two screws.
13. Check to see if wick moves smoothly by turning wick adjuster knob in both directions. Reassemble heater. Allow 20 minutes for wick to absorb kerosene before lighting.

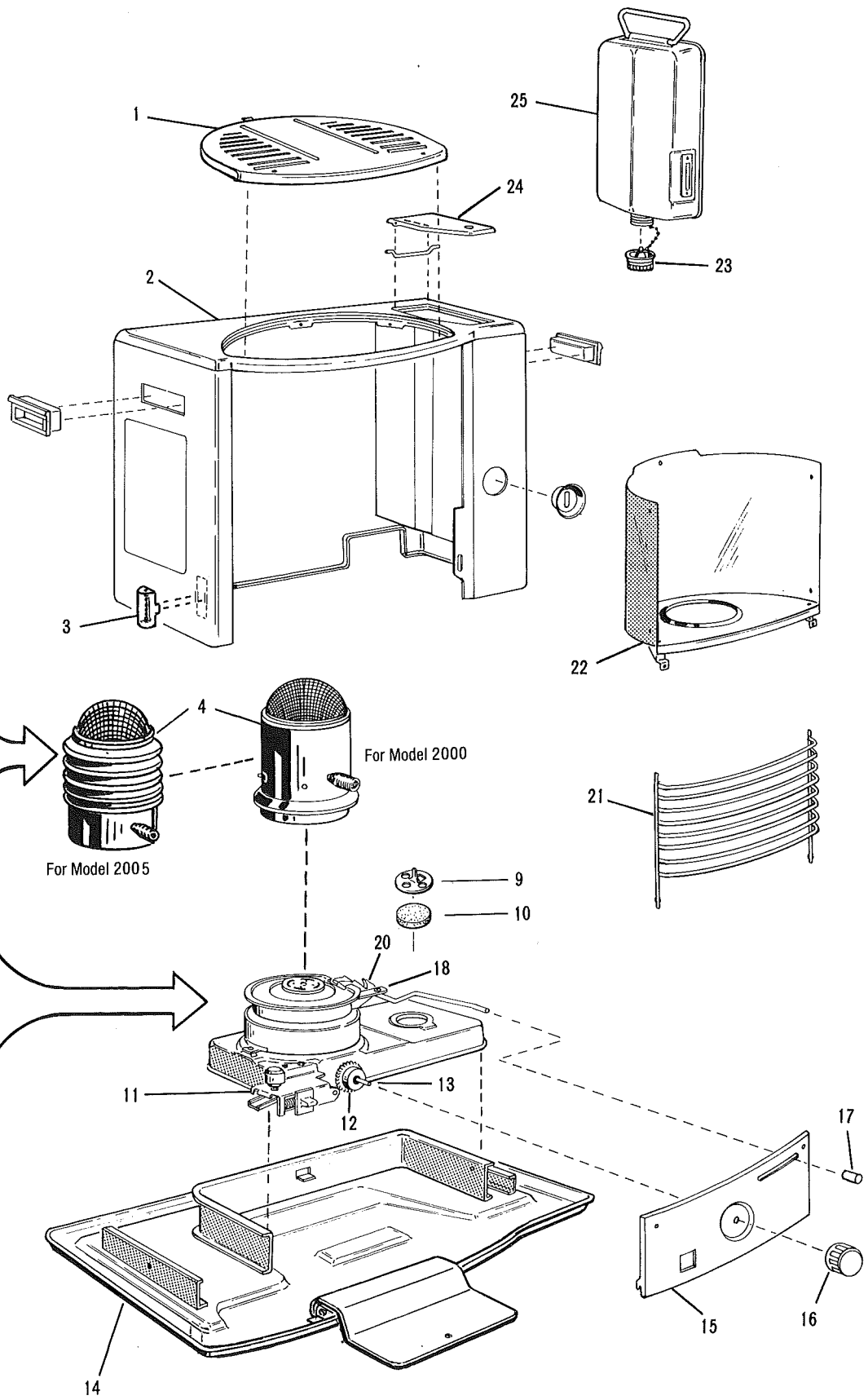
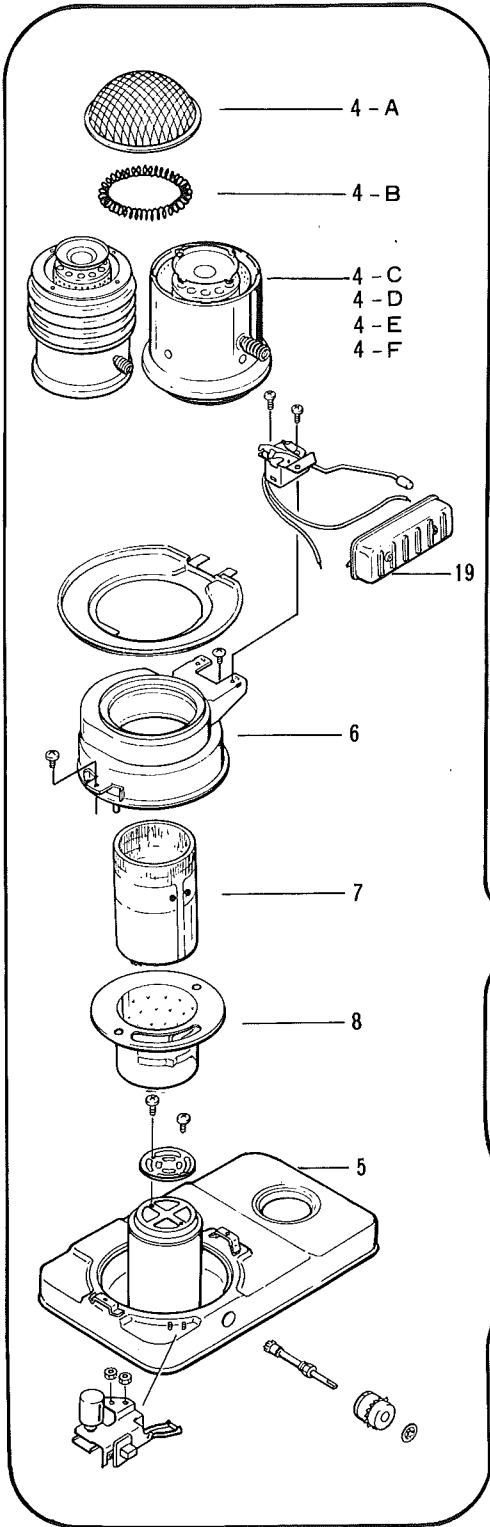
### CHANGING THE IGNITION PLUG



If your batteries are good and there is only a slight glow or none at all, you should replace the ignition plug as follows.

1. Remove batteries from case.
2. Remove the guard and chimney
3. Push the ignition knob to the left. To remove the ignition plug push in and turn counter clockwise. Install new ignition plug and replace chimney and guard.

# MODEL NO. 2000 & 2005



# LIST OF MATERIAL FOR HEATER MODEL NO. 2000 & 2005

## REPLACEMENT PARTS

KEY NO.	NAME	QTY.	MODEL NO.		
			2000	2005	
			PART NO.	PART NO.	
1	Top Plate	1	2710050	2710050	
	3mm×1/4" T. Ph. Rd. Hd. S. M. S.	2			
2	Cabinet Assembly	1	2710210	2710220	
	Handle	2			
	Indicator Trim	1			
	4mm×5/16" Ph. W. Pan. Hd. Scr.	2			
3	Level Assembly	1	—	—	
4	Chimney Assembly	1	2710570	2710580	
	A Chimney Net	1	2710520	2710530	
	B Chimney Coil	1	2710540	2710550	
	C Outer Cylinder	1	—	—	
	D Inner Cylinder	1	—	—	
	E	Glass Cylinder	1	—	2710670
		Speednut	2		
	F	Chimney Housing	1	—	—
		Wire Handle	1	—	—
		Flat Washer	2	—	—
		Round Head Pin	2	—	—
		4mm×5/16" Rivet	1	—	—
	5	Lower Tank	1	2710440	2710440
4mm×5/16" Ph. W. Pan. Hd. Scr.		2			
Snap Washer		1			
6	Burner Basket Assembly	1	2710300	2710300	
	4mm×5/16" Ph. Pan. Hd. Scr.	2			
7	Wick	1	2710310	2710310	
8	Wick Holder	1	2710320	2710320	
9	Oil Feeder	1	2710330	2710330	
10	Oil Filter	1	2710340	2710340	
11	Automatic Safety Shut-off	1	2710350	2710350	
	Instant Off Switch	1			
	Hex Nut 4mm	2			

## REPLACEMENT PARTS

KEY NO.	NAME	QTY.	MODEL NO.	
			2000	2005
			PART NO.	PART NO.
12	Spring Case Assembly	1	—	—
	Holder Cover	1	—	—
	Return Pin	1	—	—
	Holder Spring	1	—	—
	Ratchet Gear Assembly	1	—	—
	Ratchet Spring Stopper	1	—	—
13	Wick Adjuster Shaft Assembly	1	—	—
14	Base Assembly	1	2710460	2710460
	Safety Base	1		
15	Front Plate	1	2710090	2710100
	3mm×1/4" Ph. Pan. Hd. Mach. Scr.	2		
16	Wick Adjuster Knob	1	2710080	2710080
17	Ignition Knob	1	2710070	2710070
18	Ignition Assembly	1	2710240	2710240
	4mm×5/16" Ph. Pan. Hd. T. C. S.	2		
19	Battery Case	1	—	—
	3mm×1/4" T. Ph. Rd. Hd. S. M. S.	1		
20	Ignition Plug	1	2710260	2710260
21	Guard	1	2710000	2710000
22	Reflector	1	2710120	2710120
	3mm×1/4" T. Ph. Rd. Hd. S. M. S.	5		
23	Tank Cap Assembly	1	2710040	2710040
24	Tank Cover	1	2710160	2710160
	Tank Cover Shaft	1		
25	Cartridge Tank Assembly	1	2710020	2710020





# LIST OF MATERIAL FOR HEATER MODEL NO. 2010

## REPLACEMENT PARTS

KEY NO.	NAME	QTY.	PART NO.	
1	Top Plate	1	2710740	
	3mm×1/4" T. Ph. Rd. Hd. S. M. S.	2		
2	Cabinet Assembly	1	2710750	
	Handle	2		
	4mm×5/16" Ph. W. Pan. Hd. Scr.	2		
3	Level Assembly	1	—	
4	Chimney Assembly	1	2710590	
	A Chimney Net	1	2710530	
	B Chimney Coil	1	2710550	
	C Outer Cylinder	1	—	
	D Inner Cylinder	1	—	
	E Glass Cylinder	1	2710670	
		Speednut		2
	F	Chimney Housing	1	—
		Wire Handle	1	—
		Flat Washer	2	—
		Round Head Pin	2	—
5	4mm×5/16" Rivet	1	—	
	Burner Control Semi Assembly	1	2710450	
	Empty Indicator Assembly	1		
	3mm×1/4" Ph. Pan. Hd. Mach. Scr.	1		
	Empty Gauge Cap Assembly	1		
	4mm×9/16" Ph. Rd. Hd. Mach. Scr.	2		
	4mm×5/16" Ph. W. Pan. Hd. Scr.	2		
Snap Washer	1			
6	Burner Basket Assembly	1	2710300	
	4mm×5/16" Ph. Pan. Hd. Scr.	2		
7	Wick	1	2710310	
8	Wick Holder	1	2710320	
9	Oil Feeder	1	2710330	
10	Oil Filter	1	2710340	
11	Automatic Safety Shut-off	1	2710350	
	Instant Off Switch	1		
	Hex Nut 4mm	2		

## REPLACEMENT PARTS

KEY NO.	NAME	QTY.	PART NO.
12	Spring Case Assembly	1	—
	Holder Cover	1	—
	Return Pin	1	—
	Holder Spring	1	—
	Ratchet Gear Assembly	1	—
	Ratchet Spring Stopper	1	—
13	Wick Adjuster Shaft Assembly	1	—
14	Base Assembly	1	2710470
	Safety Base	1	
15	Front Plate	1	2710110
	Indicator Trim	1	
	3mm×1/4" Ph. Pan. Hd. Mach. Scr.	2	
16	Wick Adjuster Knob	1	2710080
17	Ignition Knob	1	2710070
18	Ignition Assembly	1	2710250
	4mm×5/16" Ph. Pan. Hd. T. C. S.	2	
19	Battery Case	1	—
	3mm×1/4" T. Ph. Rd. Hd. S. M. S.	1	
20	Ignition Plug	1	2710260
21	Guard	1	2710760
22	Reflector	1	2710130
	3mm×1/4" T. Ph. Rd. Hd. S. M. S.	5	
23	Frame Trim	1	—
24	Tank Cap Assembly	1	2710040
25	Tank Cover	1	2710180
	Tank Cover Shaft	1	
26	Cartridge Tank Assembly	1	2710030

# TROUBLESHOOTING

Here are common symptoms which may appear during operation of your heater.  
Most are easily corrected, as shown below.

Symptoms	Possible Causes						Cure	
	<i>Wick wont ignite.</i>	<i>Slow light.</i>	<i>Low heat output.</i>	<i>Smoke or odor.</i>	<i>Heavy movement of wick adjuster knob.</i>	<i>Dying flame.</i>		
Out of kerosene.	*			*			*	Check fuel gauge, add kerosene.
Contaminated or deteriorated kerosene.	*	*	*	*	*		*	Drain tank, replace wick refill with clean kerosene.
Water in kerosene.	*	*	*	*	*		*	Drain tank, replace wick refill with clean kerosene.
Wick too high.				*				Adjust wick height.
Wick too low.	*		*				*	Adjust wick height.
Excess tar on wick.	*	*	*	*	*		*	Replace wick.
Chimney not seated Properly.				*				Turn the chimney from side to side several times.
Ignition plug does not glow.	*							Replace ignition plug.
Batteries are dead or not installed properly.	*	*						Replace batteries or Install properly.

## SPECIFICATION

Name	Estate	Colony	Villager
Model No.	2010	2005	2000
Type of Heater	Reflection	Reflection	Reflection
Heating Output	9100 BTU/hr.	9100 BTU/hr.	7000 BTU/hr.
Fuel Tank	Cartridge	Cartridge	Cartridge
Tank Capacity	1.32 gallon	1.02 gallon	1.02 gallon
Estimated Heating Time	18 hr.	14 hr.	18 hr.
Max. Fuel Consumption	0.07 gal/hr.	0.07 gal/hr.	0.05 gal/hr.
Automatic Igniter	Standard	Standard	Standard
Safety Shut-off	Standard	Standard	Standard
Fuel Gauge	Standard	Standard	Standard
Level Indicator	Standard	Standard	Standard
Dimensions			
Height	18-5/16 inches	16-15/16 inches	16 15/16 inches
Width	24-1/4 inches	21-1/8 inches	21-1/8 inches
Depth	15-1/4 inches	15-5/16 inches	15-5/16 inches
Weight	23.1 lbs.	19.2 lbs.	17.9 lbs.